

**TOOLING & DISTRIBUTION
PRODUCTS CATALOG**

M5A

WHAT'S NEW...



**PERC BATTERY
ELECTROFUSION PROCESSOR**
Page 6



ELECTROFUSION GAUGE
Page 10



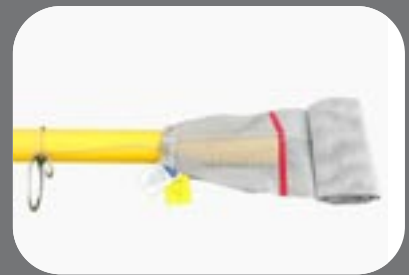
PIPE WRENCH ASSIST
Page 47



KLEISS FLOW STOPPING
Page 49



PAC28 AXIAL PIPE CUTTER
Page 55



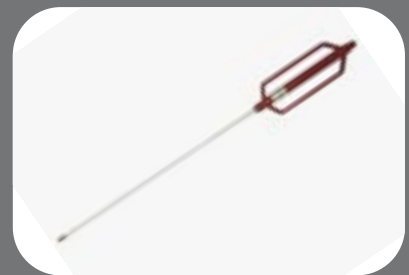
PIG PEN
Page 63



3M TAPPING TEE CAP MARKER
Page 65



GAS TORNADO
Page 66



EZ JACK PLUNGER
Page 66



STATIKIL ANTISTAT SPRAY
Page 71



LLFA TAPE
Page 72



BEYER BOX
Page 77

*Reach out to your Mulcare Sales Person
for a demonstration of these innovative new products!*



PLASTIC PIPE JOINING4



PLASTIC PIPE SQUEEZE & CUTTING24



GAS MAIN TAPPING36



SERVICE RENEWAL.....40



VALVE TOOLING44



FLOW STOP OFF, BAGS & PLUGS.....48



STEEL & CAST IRON PIPE CUTTING, BEVELING & SQUEEZING54



POLYETHYLENE VALVES & FITTINGS.....60



MARKING, LOCATING & LEAK DETECTION64



SYSTEM PROTECTION70



METHANE EMISSIONS REDUCTION78

Plastic Pipe Joining

*Mulcare offers everything you need
for all types of plastic pipe joining.*

PHOENIX ELECTROFUSION PROCESSOR

PHOENIX FREEDOM ELECTROFUSION PROCESSORS

RITESCAPE ELECTROFUSION SCRAPERS

ELECTROFUSION MEASURING GAUGE

ALIGNRITE ELECTROFUSION CLAMPS

CHAMFER TOOLS

MECHANICAL JOINING

ALCOHOL WIPES

E-Z PROBE PYROMETER



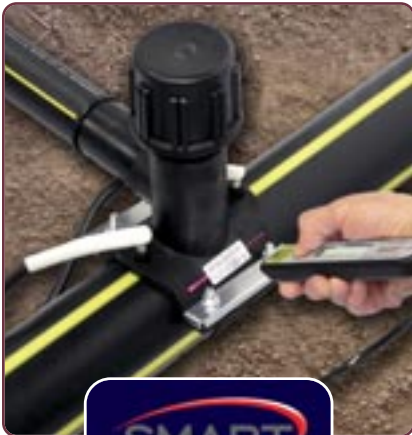


**HIGH VISIBILITY, LOW TEMP DISPLAYS
& 17FT CABLES, 5FT LONGER THAN BEFORE**

PERC PHOENIX ELECTROFUSION PROCESSOR

Universal Barcode Processor Powered by an AC Generator

- Scans barcode using conventional contact reader wand or the advanced SMART SCANNER with or without GPS capability.
- Automatically identify and fuse fittings from any electrofusion fitting manufacturer.
- Auto ID and Resistor ID available.
- Enclosed in a watertight, Pelican Case® providing physical protection and room for storage of cables and other accessories.
- Field calibration ready using EF Technologies AUTOCAL® system.
- ControlPoint and EF Utilities by EF Technologies enabled.
- Optional Bluetooth connectivity.



Model	Part #
SmartScanner	125613-10
SmartScanner GPS	125614-10

Processor Style	Barcode	Lithium Ion Battery
Universal	YES	YES
Warranty	1 year Standard (Optional Extended Warranty)	1 year Standard (Optional Extended Warranty)
Made & Serviced in the U.S.	YES	YES
Operating Modes	Barcode, Manual & Auto ID	Barcode, Manual & Auto ID
Size	20.625" x 16.875" x 8.125"	19.125" x 15.5" x 7.5"
Weight	48 lbs (Suitcase Style)	21 lbs
Output Cable Length	17 feet	17 feet
Power Source	AC / Generator / Inverter	4 Ah Lithium Ion Battery
Supply Voltage	97 VAC - 150 VAC	120 VAC for charging only
Supply Frequency	47 Hz - 70 Hz	60 Hz for charging only
Supply Waveform	Sine Wave or Square Wave	Sine Wave for charging only
Maximum Fitting Size	Any Fitting	N/A
Output Voltage	8 - 48 volts +/- 2%	8 - 48 volts +/- 2%
Operating Temperature	0 F - 120 F (optionally 0 F - 140 F)	0 F - 120 F (optionally 0 F - 140 F)
High Visibility Display	60 Lux (33% Greater)	60 Lux (33% Greater)
Fusion Storage	5000+ fusions	5000+ fusions
Download Port / Connectivity	USB / Bluetooth	USB / Bluetooth
Interface Compatibility	ControlPoint / EF Utilities	ControlPoint / EF Utilities
Fitting Adapters Included	4.0 mm / 4.7 mm	4.0 mm / 4.7 mm
Environmental Protection	IP54 Splash Proof	IP54 Splash Proof
Calibration Interval	2 or 3 year	2 or 3 year



Ask your representative about our calibration and repair services





PERC PHOENIX ELECTROFUSION BATTERY PROCESSOR

- New lithium battery – longer lasting and field changeable.
- Weighs only 21 lbs.
- Auto ID and Resistor ID available.
- Enclosed in a watertight, Pelican Case® providing physical protection and room for storage of cables and other accessories.
- Field calibration ready using EF Technologies AUTOCAL® system.
- High visibility, low temp display.
- 17ft output cables.
- Optional Bluetooth connectivity.



EF FITTING ADAPTER

- Universal adapter for 4.0mm and 4.7mm electrofusion fittings.

Model	Part #
Set of 2 universal adapters	124161-10



REPLACEMENT TIPS

- Screw in style for PERC Phoenix Processor.
- Older styles available. Please Call.

Size	Fittings*	Part #
4.0 mm (White)	Nupi Elofit, Innogaz, Friatec	125161-10
4.7 mm (Black)	Central, MT Deason	125162-10
4.7 mm (Black)	Central (Resistor ID)	125164-10
—	Wrench	120971-10
—	Marinco Adapter	120212-10

Above is a guide only – Make sure fitting adaptors are a snug fit into fitting listed





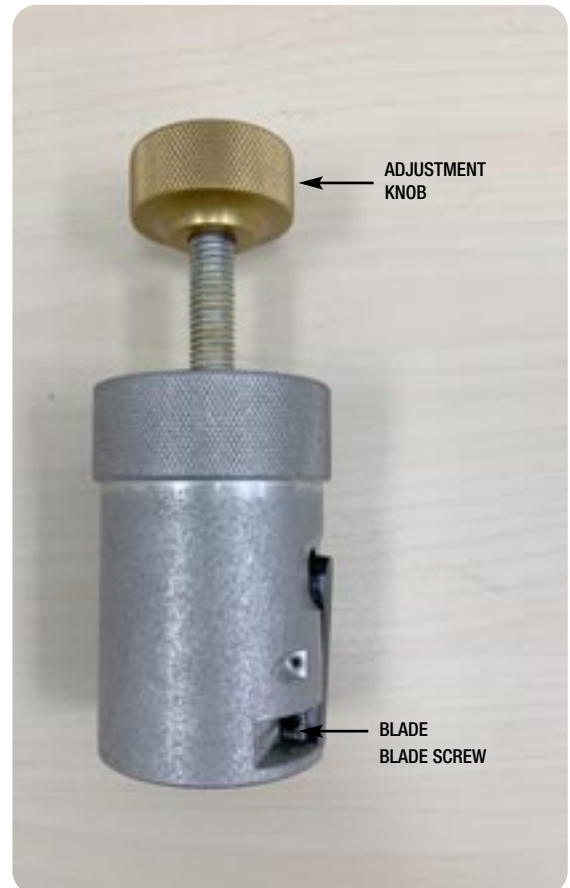
RITESCRAPE™ TUBING SCRAPERS LT

- Machined billet aluminum construction
- Floating 4-sided blade for consistent shaving depth even on coil or ovaled pipe
- Ideal for pipe prep on couplings and tees.
- 1/2" CTS through 2" IPS
- Tapered Mandrel for different wall thickness for same size tubing.

Model	Tubing Size	Part #
RITESCRAPE Tubing Scraper LT	1/2" CTS	124236-10
	3/4" IPS	124236-20
	1" CTS	124236-30
	1" IPS	124236-40
	1-1/4" CTS	124236-50
	1-1/4" IPS	124236-70
	2" IPS	124236-80

REPLACEMENT PARTS

Tool	Adjustment Knob	Blade	Blade Screw
All Sizes	122129-10	118314-10	121285-10



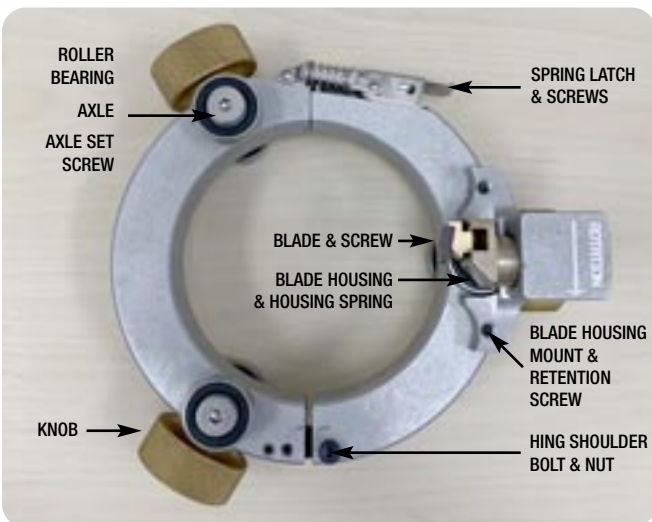


RITESCRAPE™ ROTARY SCRAPERS

- Machined billet aluminum construction
- Floating blade for consistent shaving depth even on coil or oveled pipe
- Same parts across all sizes
- Smaller profile for use in tight work areas
- 1-1/4" IPS through 12" main sizes

Model	Pipe Size	Part #
RITESCRAPE Rotary Scraper (Includes Bag)	1-1/4" IPS	128310-10
	2" IPS	128305-10
	3" IPS	128311-10
	4" IPS	128304-10
	6" IPS	128303-10
	8" IPS	128312-10
	12" IPS	128313-10

REPLACEMENT PARTS

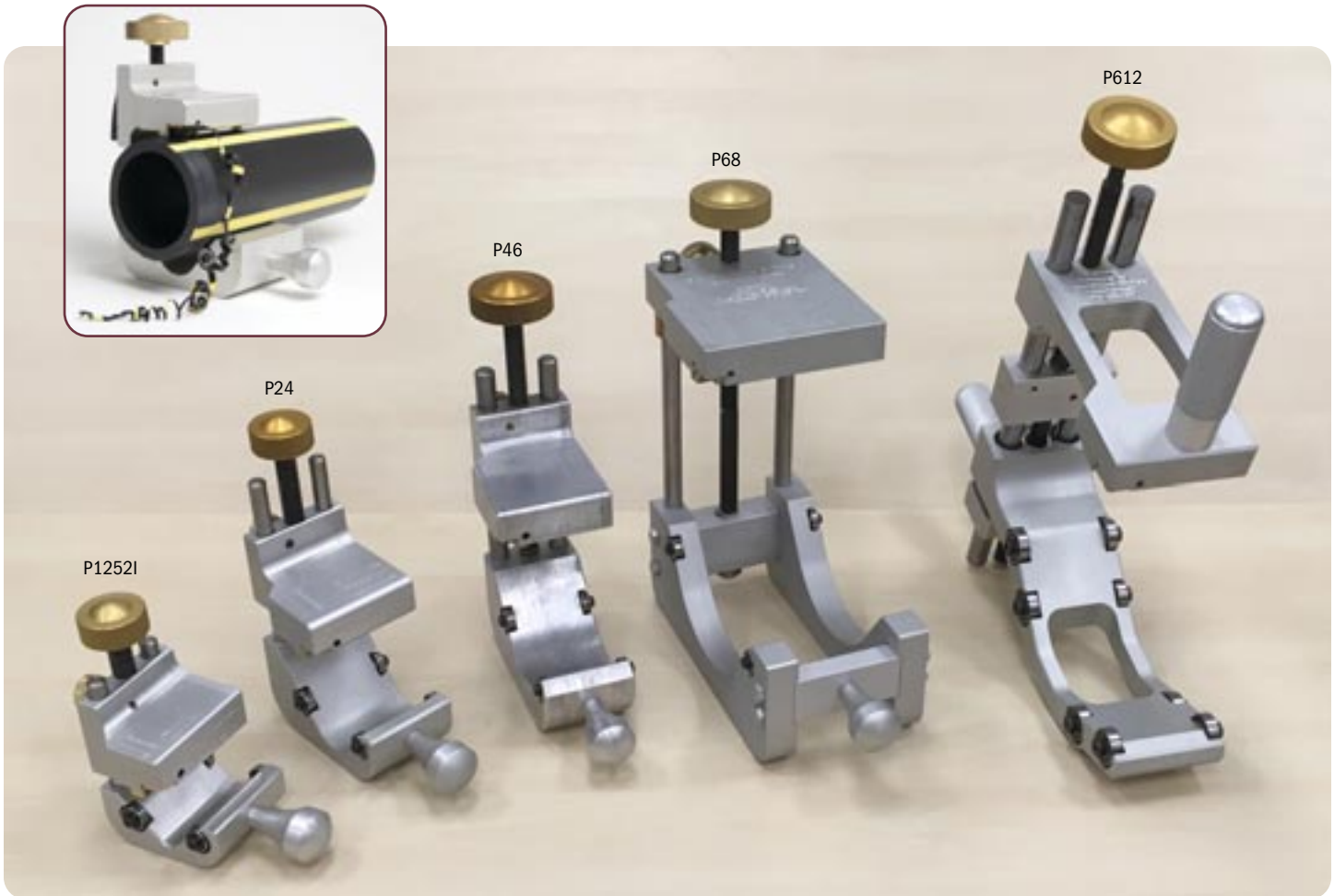


Model	Part #
Insert Stiffener for 1-1/4" & 2" IPS Scrapers	118039-10

Replacement Parts For All Size Scrapers	Part #
Blade (Single Edge)	128306-10
Blade Housing	128308-10
Blade Housing Mount	128307-10
Blade Housing Retention Screw	128309-10
Blade Housing Spring	123863-10
Hinge Shoulder Bolt & Nut	128314-10
Small Padded Bag (for 2" & 4")	123758-10
Large Padded Bag (for 6" & 8")	123759-10

Replacement Parts For Previous Models	Part #
Blade (4-sided)	118314-10
Blade Screw	121285-10





RITESCRAPE™ MULTI-SIZE SCRAPERS

- Machined billet aluminum construction
- Floating 4-sided blade for consistent shaving depth even on coil or ovaled pipe
- Each tool handles multiple pipe sizes.
- 1-1/4" IPS through 12" main sizes available.



Model	Pipe Size	Part #
RITESCRAPE Multi-Size Scraper	1-1/4" – 2" IPS	127330-10
	2" – 4" IPS	127331-10
	4" – 6" IPS	127325-10
	6" – 8" IPS	127326-10
	6" – 12" IPS	127327-10
Carrying Case for 2" – 4" and 6" – 8" IPS		122261-10

Model	Material Removal Range – Pass 1
1-1/4" – 2" IPS Multi-Size	.008" – .012"
2" – 4" IPS Multi-Size	.008" – .012"
4" – 6" IPS Multi-Size	.008" – .012"
6" – 8" IPS Multi-Size	.008" – .012"
6" – 12" IPS Multi-Size	.008" – .012"

Call now to place an order
973-335-4800



All field maintainable and repairable

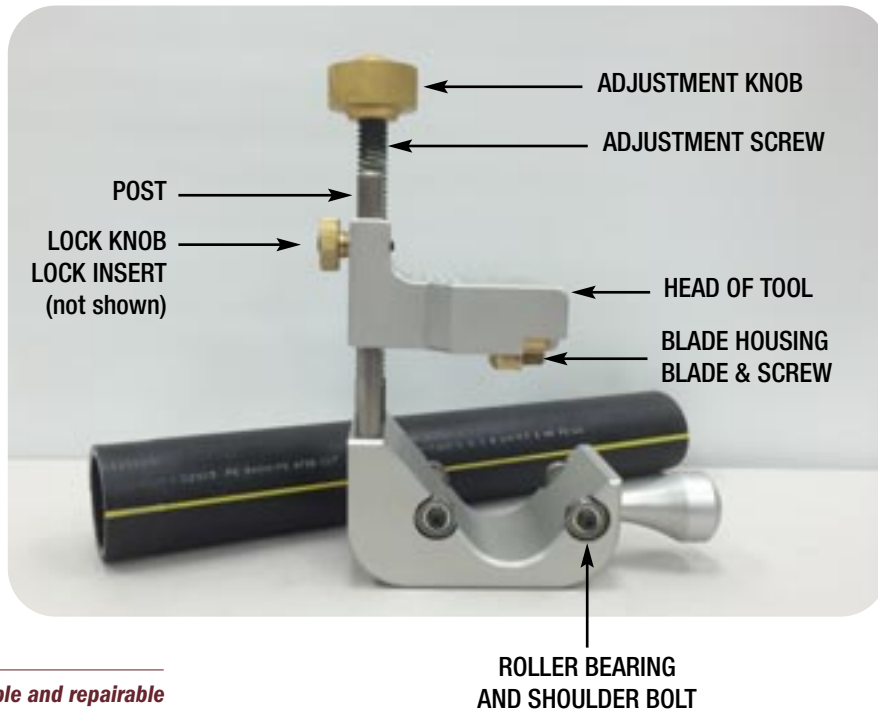
MULCARE





RITESCRAPE™ MULTI-SIZE SCRAPERS REPLACEMENT PARTS

Tool	Adjustment Knob	Adjustment Screw	Lock Knob	Lock Insert	Housing	Blade	Housing Spring	Blade Screw	Roller Bearing	Post	Shoulder Bolt
1-1/4" - 2" IPS	122129-10	122126-10	121296-10	122128-10	127329-10	118314-10	121286-10	121285-10	121289-10	122127-10	121290-10
2" - 4" IPS		122125-10								121970-10	
4" - 6" IPS		123085-10	123084-10								
6" - 8" IPS		120099-10	121421-10								
6" - 12" IPS	122130-10	122597-10	120101-10	120100-10					121971-10	122596-10	121972-10



All field maintainable and repairable

FUSEMASTER ELECTROFUSION MEASURING GAUGE

- Meets all standards requirements.
- Peel/ribbon thickness gauge, gouge, gap & out of roundness indicators, and pipe wall thickness chart - all in one tool.
- Pipe sizes from 1" to 12".

Product	Size Range	Part #
FM16-19	1" - 6" Pipe	124744-10
FM212-19	2" - 12" Pipe	124743-10



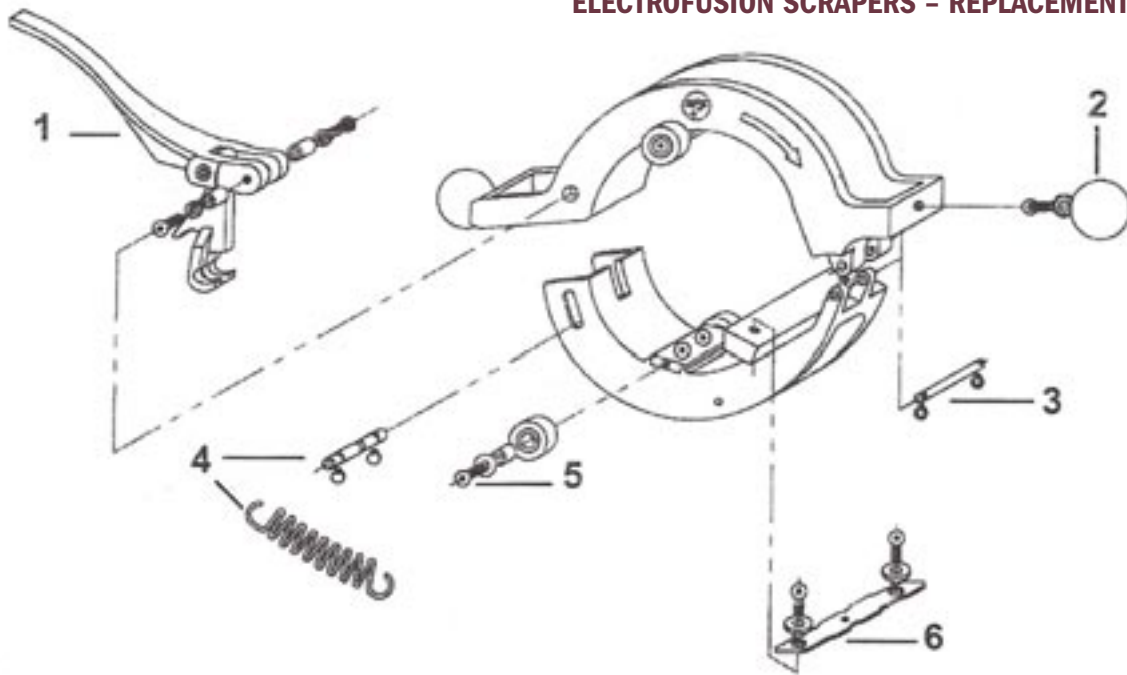


OLD STYLE ELECTROFUSION SCRAPERS

- Rotary Scrapers

Model	Tubing/Pipe Size	Part #
Old Style Rotary Scraper	1-1/4" IPS	118140-10
	2" IPS	117802-10
	3" IPS	118097-10
	4" IPS	118002-10
	6" IPS	118043-10
	8" IPS	118874-10
Insert Stiffener	1-1/4 - 2" IPS	118039-10

ELECTROFUSION SCRAPERS - REPLACEMENT PARTS



Ref. No	Description	Pipe Size	Part #
1	Latch Assembly Kit	1-1/4" IPS & 2" IPS	118215-10
		3" IPS & 4" IPS	118883-10
		6" IPS & 8" IPS	118158-10
2	Knob Assembly Kit	1-1/4" IPS - 2" IPS	118049-10
		3" IPS - 8" IPS	123351-10
3	Main Hinge Kit	1-1/4" IPS & 4" IPS	113522-10
		6" IPS & 8" IPS	113523-10
4	Spring Kit	1-1/4" IPS & 2" IPS	113524-10
		3" IPS & 8" IPS	117918-10

Ref. No	Description	Pipe Size	Part #
5	Wheel Kit	1-1/4" IPS & 2" IPS	117805-10
		3" IPS & 4" IPS	117799-10
		6" IPS	117800-10
		8" IPS	117801-10
6	Spare Blades-Main Scraper	1-1/4", 2" & 3"	118074-10
		4"	117916-10
		6", 8"	117917-10



All field maintainable and repairable

Call now to place an order
973-335-4800

MULCARE





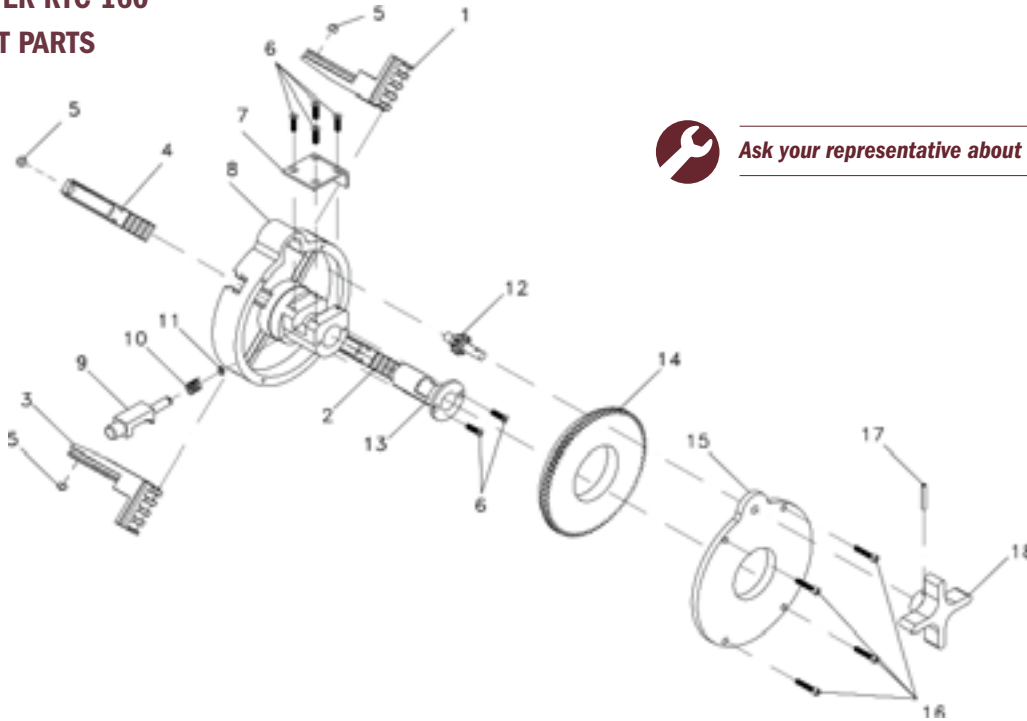
RITMO SCRAPER RTC 160

- Working range external: 2" IPS to 6" IPS.
- Mandrel device to cover all working diameter.
- Rotating arm with a blade supported.
- Device designed to maintain consistent cutting depth.

Model	Tubing/Pipe Size	Part #
RTC 160	2" - 6" IPS	121406-10
Replacement Blade	2" - 6" IPS	121440-10
Carrying Case	For RTC 160	122198-10



RITMO SCRAPER RTC 160 REPLACEMENT PARTS



Ask your representative about our tool repair services

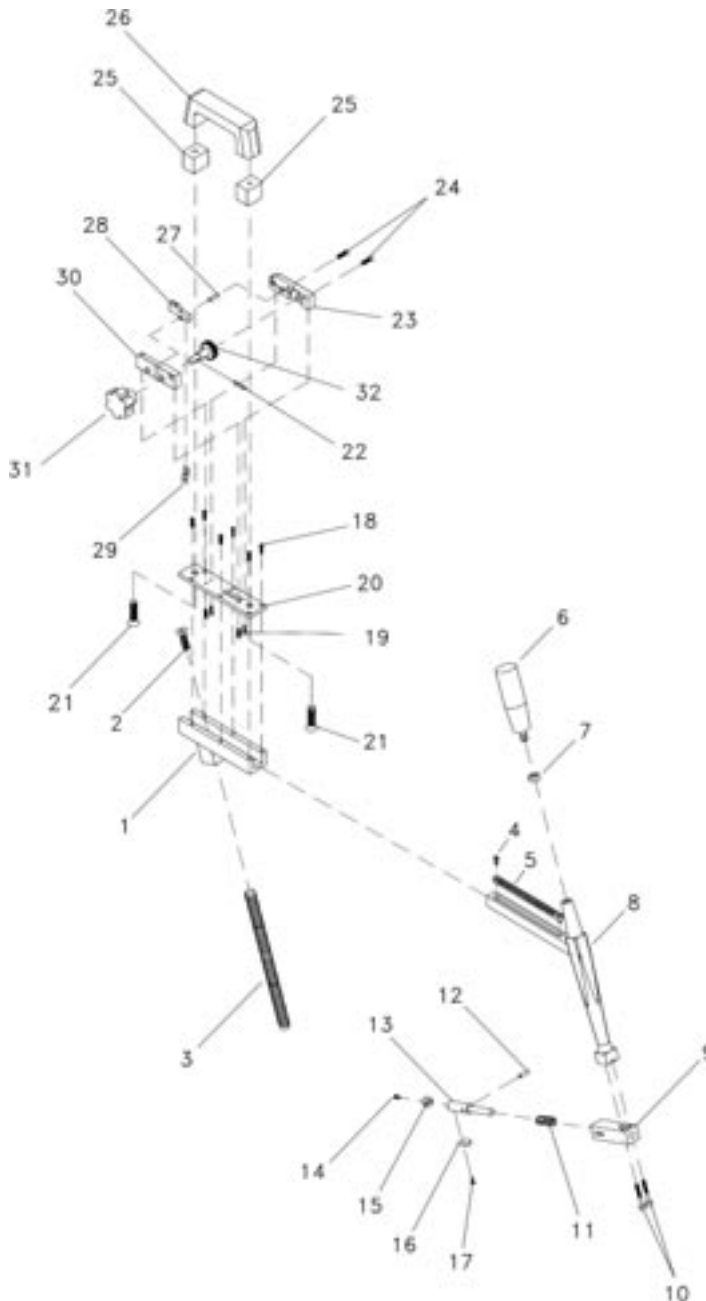
Ref. No.	Code	Description	Part #
1	75329854D	INSERTS (MUST BUY 4)	N/A
2	75329864D	INSERTS (MUST BUY 4)	N/A
3	75329874D	INSERTS (MUST BUY 4)	N/A
4	75329884D	INSERTS (MUST BUY 4)	N/A
5	41800010	POSITIONER HWN208-2208.005	123137-10
6	40240784	SCREW TSPEI 10.9 M3x12 UNI 5933-Zn (*4)	123697-10
7	74499851A	LOCKING PLATE	123698-10
8	71749850	PIPE SCRAPER BASE	123699-10
9	76769851B	BUTTON TPF14 sin	123700-10

Ref. No.	Code	Description	Part #
10	41851160	SPRING De 9x1x19 cod.D11960-B	123701-10
11	41372090	RING 6 UNI 7435-Br	123702-10
12	77579860	WHEEL WITH PIN Z10 m 1.25	123703-10
13	70849850	BEARING D30d14x45.5	121430-10
14	77579850	SERRATED WHEEL Z75 m1.25	123704-10
15	71659860	SCRAPER BASE COVER	123705-10
16	40120772	SCREW TCEI 8.8M3x10 UNI 5931-Zn (*4)	123706-10
17	41410980	ELASTIC PIN d3x18 UNI 6873-Br	121847-10
18	79379850	HAND WHEEL D60 4 LOBES	123707-10





RITMO SCRAPER RTC 160 - REPLACEMENT PARTS



Ref. No.	Code	Description	Part #
1	78159850	SCRAPER ARM GUIDING SUPPORT	123709-10
2	40241374	SCREW TSPEI 10.9 M5x25 UNI 5933-Zn	123710-10
3	79299850	GUIDE SCREW TPF 14x190	123711-10
4	40241004	SCREW TSPEI 10.9 M4x12 UNI 5933-Zn	121595-10
5	71859850	RACK m 0.75x112	123712-10
6	32090090	HANDLE MGE/28x88 M8	121619-10
7	41002082	NUT 6S M8 UNI 5588-Zn	121620-10
8	70839880	MAIN ARM	121846-10
9	78159040	PLATEHOLDER SUPPORT	121442-10
10	40121062	SCREW TCEI 8.8 M4x25 UNI5931-Zn (*2)	121443-10
11	75209020	SPRING d11.5x1.25x28 6 SPIRE	121438-10
12	41421500	SPIROL PIN d4x18 UNI 6875-Br	121437-10
13	76559032A	PLATE HOLDER	121441-10
14	40780502	SCREW TCB 4.8 M2.5x8 UNI 7687-Zn	121433-10
15	76509020	ROUND BLADE d12x7	121440-10
16	76259002A	SPARE SLIDING BLOCK	121439-10
17	40780482	SCREW TCB 4.8 M2.5x6 UNI 7687-Zn	121432-10
18	40240784	SCREW TSPEI 10.9 M3x12 UNI 5933-Zn (*6)	123697-10
19	40241004	SCREW TSPEI 10.9 M4x12 UNI 5933-Zn (*4)	121595-10
20	71659850	SCRAPER ARM SUPPORT COVER	123713-10
21	40241394	SCREW TSPEI 10.9 M5x30 UNI 5933-Zn (*2)	123714-10
22	41410980	ELASTIC PIN d3x18 UNI 6873-Br	121847-10
23	78159870	SERRATED WHEEL SUPPORT (left)	123715-10
24	40241024	SCREW TSPEI 10.9 M4x16 UNI 5933-Zn (*2)	123161-10
25	72239850	HANDLE SPACER	121848-10
26	32120301	HANDLE MT/105-M5	121849-10
27	41431000	PIN Fe 4x16 h8 UNIEN 22338	123163-10
28	76769012A	RELEASING PUSHBUTTON	122742-10
29	41851150	SPRING De 4.5x0.5x31 cod. D11240	123164-10
30	78159860	SERRATED WHEEL SUPPORT (right)	123716-10
31	79379500	HANDWHEEL VB/40 MODIFIED	121845-10
32	76469002A	PINION Z30 m0.75	122167-10



Ask your representative about our tool repair services

Call now to place an order
973-335-4800

MULCARE



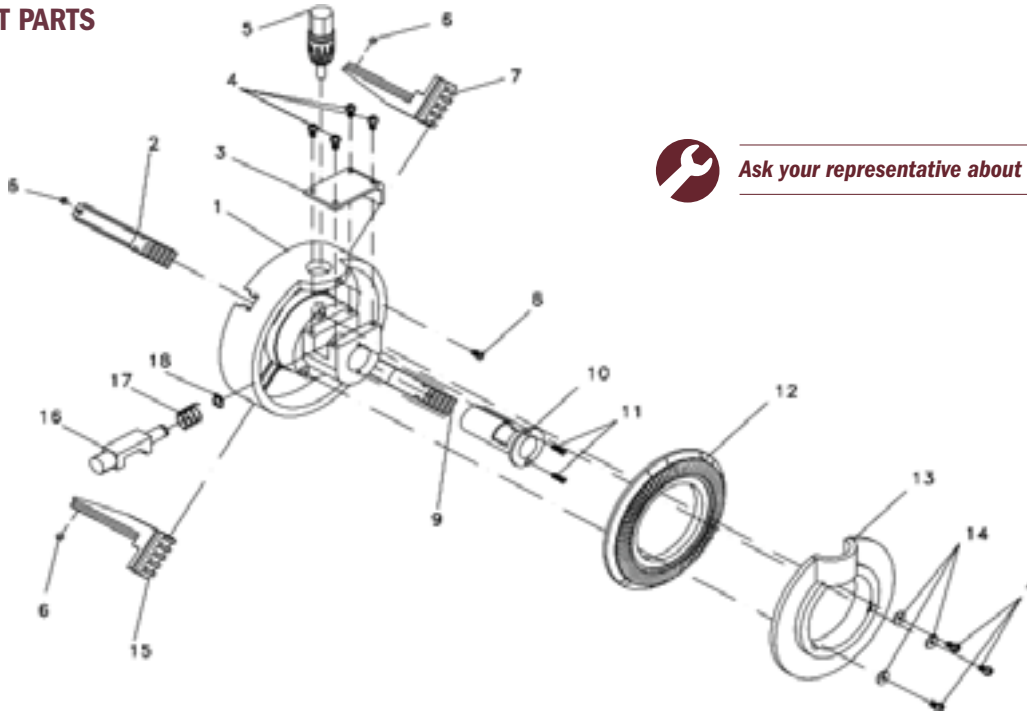
RITMO SCRAPER RTC 315

- Working range external: 3" IPS to 12" IPS.
- Mandrel device to cover all working diameters.
- Rotating arm with a blade supported.
- Device designed to maintain consistent thickness of the continuous chip.



Model	Tubing/Pipe Size	Part #
RTC 315	3" - 12" IPS	121407-10
Carrying Case	For RTC 315	122198-10

REPLACEMENT PARTS



Ask your representative about our tool repair services

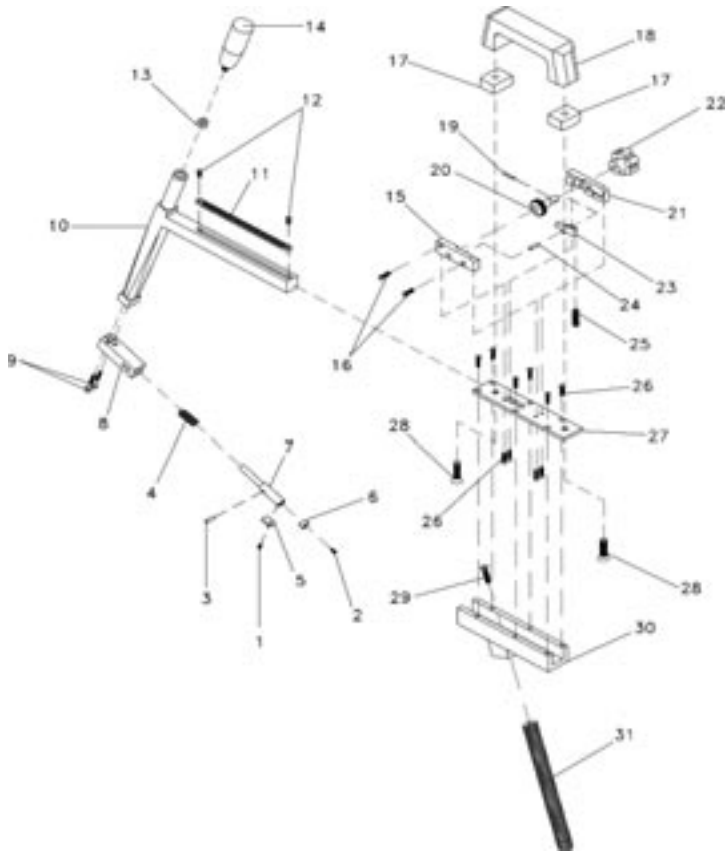
Ref. No.	Code	Description	Part #
1	71749010	PIPE SCRAPER BASE	122645-10
2	75329034D	INSERT	121434-10
3	74499000	LOCKING PLATE	123726-10
4	40780972	SCREW TCB 4.8 M4x8 UNI 7687-Zn	123727-10
5	77579022A	CONIC SERRATED WHEEL Z12 M1.5	123728-10
6	41800010	POSITIONER HWN208-2208.005	123137-10
7	75329004D	CLAMP #1	121434-10
8	79299020	SCREW TSPEI M4x10 MODIFIED	123729-10
9	75329014D	CLAMP #2	121434-20
10	70849000	BEARING D36d20x63	121435-10

Ref. No.	Code	Description	Part #
11	40810752	SCREW TSP 4.8 M3x8 UNI 7688-Zn	121436-10
12	77579010	CONIC SERRATED WHEEL Z80 m1.5	123730-10
13	71239000	REAR CASE	123731-10
14	41191041	WASHER Fe 4.3x12 UNI 6593-Zn	123732-10
15	75329024D	CLAMP #3	121434-30
16	76769011B	PUSH BUTTON TPF20 SIN	122574-10
17	75209010	SPRING d15.5X1.1.X27 4 spire	122575-10
18	41372130	RING 10 UNI 7435 Br	122576-10
1-18	81729000	BASE ASSEMBLY (includes all parts)	123733-10





RITMO SCRAPER RTC 315 - REPLACEMENT PARTS



Ref. No.	Code	Description	Part #
1	40780482	SCREW TCB 4.8 M2.5x6 UNI 7687-Zn	121432-10
2	40780502	SCREW TCB 4.8 M2.5x8 UNI 7687-Zn	121433-10
3	41421500	SPIROL PIN d4x18UNI 6875-Br	121437-10
4	75209020	SPRING d11.5x1.25x28 6 SPIRE	121438-10
5	76259002A	SPARE SLIDING BLOCK	121439-10
6	76509020	ROUND BLADE d12x7	121440-10
7	76559032A	PLATEHOLDER	121441-10
8	78159040	PLATEHOLDER SUPPORT	121442-10
9	40121062	SCREW TCEI 8.8 M4x25 UNI 5931-Zn	121443-10
10	70839040	PRINCIPAL ARM	121462-10
11	71859000	RACK m0.75x174	121621-10
12	40810752	SCREW TSP 4.8 M3x8 UNI7688-Zn	121436-10
13	41002082	NUT 6S M8 UNI 5588-Zn	121620-10
14	32090090	HANDLE MGE/28x88 M8	121619-10
1-14	80839000	SCRAPER ARM ASSEMBLY (Items 1-14)	121501-10
15	78159030	SERRATED WHEEL SUPPORT SX	123160-10
16	40241024	SCREW TSPEI 10.9 M4x16 UNI 5933-Zn	123161-10
17	72239010	HANDLE SPACER	121843-10
18	32120200	HANDLE BRASS SLEEVES MS/132-M8	121844-10
19	41410980	ELASTIC PIN d3x18 UNI 6873-Br	121847-10
20	76469002A	PINION Z30 m0.75	122167-10
21	78159020	SERRATED WHEEL SUPPORT DX	123162-10
22	79379500	HANDWHEEL VB/40 MODIFIED	121845-10
23	76769012A	RELEASING BUTTON	122742-10
24	41431000	PIN Fe 4x16 h8 UNIEN 223338	123163-10
25	41851150	SPRING De 4.5x0.5x31 cod. D11240	123164-10
15-25	81659000	COVER ARM SUPPORT GROUP (Items 15-25)	121502-10
26	40241004	SCREW TSPEI 10.9 M4x12 UNI 5933-Zn	121595-10
27	71659000	ARM SUPPORT COVER	123165-10
28	40242394	SCREW TSPEI 10.9 M8x30 UNI 5933-Zn	122250-10
29	40241684	SCREW TSPEI 10.9 M6x25 UNI 5933-Zn	122410-10
30	78159050	ARM GUIDE SUPPORT	122411-10
31	79299030	SCREW TPF 20x3x245	122412-10
26-31	88179035	ARM SUPPORT GROUP (Items 16-31)	121503-10

RITMO SCRAPER RTC 315 - INSERT EXTENSIONS

Code	Description	Part #
76629049A	Insert Extension 4" - 6" (Need 4)	122330-20
76629059A	Insert Extension 6" - 8.25" (Need 4)	122330-30
76629069A	Insert Extension 8.25" - 10.24" (Need 4)	122330-40
76629079A	Insert Extension 10" - 12" (Need 4)	122330-10



Ask your representative about our tool repair services

Call now to place an order
973-335-4800

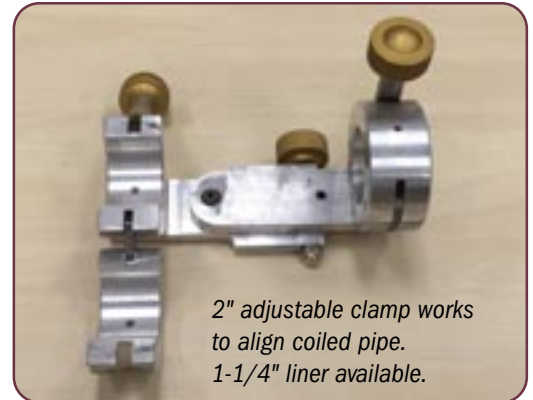
MULCARE



ALIGNRITE™ STANDARD ELECTROFUSION CLAMPS

- High quality billet aluminum construction
- Liners available for multiple size configurations

Model	Tubing/Pipe Size	Part #
ALIGNRITE Adjustable Clamp	2" IPS	123498-10
Liner Set	1-1/4" IPS	123499-10
ALIGNRITE Adjustable Clamp	8" IPS	124956-10
Liner Set	6" IPS	124957-10
Liner Set (Requires 6" liner set for base)	4" IPS	124958-10
ALIGNRITE Straight Clamp	4"	123875-10
Liner Set	3"	123878-10
Liner Set (Requires 3" liner set for base)	2"	123877-10
ALIGNRITE Straight Clamp	8"	123876-10
Liner Set	6"	123879-10
ALIGNRITE Hoop Style Straight Clamp	12"	122288-10



ELECTROFUSION CLAMP PARTS

- OEM fit parts for cast aluminum style clamps

Replacement Part	2"	4"	8"
Adjustment Knob	117804-10	N/A	N/A
Handle Kit	117955-10	117797-10	118659-10





ALIGNRITE™ SPECIALTY ELECTROFUSION CLAMP

- One system for aligning pipe sizes 1-1/4" IPS – 6"
- Comes with liners, case and allen key

Model	Tubing/Pipe Size	Part #
ALIGNRITE Alignment Clamp	1-1/4" IPS – 6"	123197-10



ALIGNRITE™ V-STYLE ELECTROFUSION CLAMP

- One tool for aligning 2"-6" or 6"-12" pipe
- Quick release ratchet straps used to secure pipe

Model	Tubing/Pipe Size	Part #
ALIGNRITE V-Style Clamp	2" – 6"	124158-10
ALIGNRITE V-Style Clamp	6" – 12"	122214-10



ALIGNRITE™ ARTICULATING ELECTROFUSION CLAMP

- Articulating arms with fixed positions at straight, 45° & 90°
- 2" & 3" liners available
- Adjustable mechanism for coiled pipe

Model	Tubing/Pipe Size	Part #
ALIGNRITE Articulating Clamp	4"	117022-10
Liner Set	3"	123878-10
Liner Set (Requires 3" liner set for base)	2"	123877-10





ALIGNRITE™ ELECTROFUSION TUBING CLAMPS

- Sizes 1/2" - 2" IPS available
- High-quality Milwaukee vise grips
- Sizes clearly etched on clamps
- Specialty sizes available by request

Model	Tubing/Pipe Size	Part #
ALIGNRITE Vise Grip Clamp	1/2" CTS	122051-10
	3/4" IPS	122051-20
	1" CTS	122051-30
	1" IPS	122051-40
	1-1/4" CTS	122051-130
	1-1/4" IPS	122051-50
	1-1/2" IPS	122051-250
	2" IPS	122051-60

Model	Tubing/Pipe Size	Part #
ALIGNRITE 90° Elbow Vise Grip Clamp	1/2" CTS 90°	122296-20
	1" CTS 90°	122296-30
	2" CTS 90°	122296-10
	1-1/4" CTS 90°	125773-10
	1-1/4" IPS 90°	125785-10

Model	Tubing/Pipe Size	Part #
ALIGNRITE Vise Grip Clamp	2" IPS x 1" CTS	122051-80
	1-1/4" IPS x 1" IPS	122051-270
	1-1/4" IPS x 1/2" CTS	122051-240
	1-1/4" CTS x 1" IPS	122051-260
	1-1/4" CTS x 1" CTS	122051-90
	1" IPS x 1" CTS	122051-70
	1" CTS x 1/2" CTS	122051-180
	1" CTS x 3/4" IPS	122051-160
	1" IPS x 3/4" IPS	122051-170
	1" CTS x 3/4" CTS	122051-190
	2" IPS x 1-1/4" IPS	122051-200
	1/2" IPS x 1/2" CTS	122051-210
	3/4" IPS x 1/2" IPS	122051-220
	1-1/2" IPS x 1" CTS	122051-280
	1-1/4" IPS x 1-1/4" CTS	122051-230
	1-1/4" IPS x 1" CTS	122051-100
	1" IPS x 1/2" CTS	122051-110
	2" IPS x 1" IPS	122051-120
	3/4" IPS x 3/4" CTS	122051-140
	3/4" IPS x 1/2" CTS	122051-150
	1-1/2" CTS x 1" IPS	122051-290
	2" IPS x 1-1/2" IPS	127430-10
	1-1/2" IPS x 1-1/4" IPS	127431-10





ELSTER PERFECTION CHAMFER TOOL 2.0

- Provides consistent quality "bevel" to polyethylene pipe required to install Elster Perfection 2.0 Permasert Mechanical Coupling.

Model	Tubing/Pipe Size	Part #
Elster Perfection Chamfer Tool	1/2" CTS	123607-10
	1/2" IPS	123614-10
	3/4" CTS	123615-10
	3/4" IPS	123616-10
	1" CTS	123608-10
	1" IPS	123609-10
	1-1/4" CTS	123617-10
	1-1/4" IPS	123618-10
	1-1/2" IPS	123619-10
	2" IPS	123620-10



CONTINENTAL CHAMFER TOOL

- Effectively chamfers Continental ID style Con-Stab fittings.
- Depth gauge with o-ring provides means to measure proper stab depth.

Model	Quantity	Part #
Continental Chamfer Tool	1/2" CTS	118731-10
	1" CTS	118733-10
	1-1/4" CTS	122605-10
	3/4" IPS	118734-10
	1-1/4" IPS	115370-10
	1-1/2" IPS	115395-10
	2" IPS	115371-10



JM EAGLE METFIT® INSTALLATION TOOL

- Effectively joins MetFit brand fittings.
- Nutcracker - dedicated 1/2" CTS tool.
- V-Tool - 1/2" CTS to 1-1/4" CTS with proper jaws.

Model	Tubing/Pipe Size	Part #
Nutcracker	1/2" CTS	100307-10
V-Tool	1/2" CTS - 1-1/4" CTS	100310-10
Adapter Jaws	1/2" CTS	100312-10
Adapter Jaws	1/2" IPS - 3/4" CTS	100313-10
Adapter Jaws	3/4" IPS	100314-10
Adapter Jaws	1" CTS	100315-10
Adapter Jaws	1" IPS - 1-1/4" CTS	100316-10
Replacement Pins	Set of 2	100319-10



Nutcracker

V-Tool



Adapter Jaws

JM EAGLE METFIT® SERIES 200 HYDRAULIC SYSTEM

Model	Tubing/Pipe Size	Part #
Series 200 Tool (no pump)	Includes 2" liners	100308-10
Series 200 System	Includes tool, pump, hose, 2" IPS liners only	119632-10
Series 200 System	Includes tool, pump, hose, 1-1/4" IPS and 2" IPS liners	115207-10
Adapter Jaws	2" IPS	100318-10
Adapter Jaws	1-1/4" IPS	100317-10
Adapter Jaws	1-1/2" IPS	120188-10
Relief Valve	For Series 200	119532-10
Hydraulic Pump	Dual Stage	115675-10
Hydraulic Hose	For Series 200	123924-10
Hydraulic Pump Oil	For Series 200	122248-10



Ask your representative about our tool repair services





QRP-125



QRP-200

LYALL LYCOFIT® QUICK RATCHET PRESS

- **Quick Ratchet Press (QRP-125)** – lightweight, durable, single ratchet field assembly tools that install all LYCOFIT® couplings from 1/2" CTS through 1.25" CTS.
- **Dual Quick Ratchet Press (QRP-200)** – Designed for manual installations, the dual ratchet design makes it simple to install on medium to large sized piping systems. Installs all LYCOFIT® couplings from 1/2" CTS through 2" IPS.

Model	Tubing/Pipe Size	Part #
QRP-125	1/2" CTS – 1.25" CTS	113590-10
QRP-200	1/2" CTS – 2" IPS	113591-10



LHP-200

LYALL LYCO® HYDRAULIC PRESS

- **Lyco Hydraulic Press (LHP-200)** – The Lyco Hydraulic Press (LHP -200) is used for joining 1-1/4" IPS, 1-1/2" IPS, and 2" IPS sizes of medium or high density polyethylene gas pipe, utilizing LYCOFIT® Mechanical Fittings. This hydraulic tool is capable of installing standard couplings, end-caps, 90° elbows, 3-way tees, repair couplings, and many combinations of reducing fittings.

Model	Description	Part #
LHP-200-KIT-01	Hydraulic Press w/ P-142 Hand Pump, Hose, Clamps, and Carrying Case	122018-10
LHP-200-KIT-03	Hydraulic Press w/ P-133 Foot Pump, Hose, Clamps, and Carrying Case	123982-30
AHP200	Enerpac P-142 Hand Pump with fittings for LHP200	125070-10
AHP133	Enerpac P133 Foot Pump with fittings for LHP200	Please Call



AHP-133



AHP-142



ESSENTRA® ALCOHOL WIPES

- Pre-saturated wipes.
- Free of additives.
- Very low levels of sodium and other ions.
- Class 100/10 compatible wipe.
- Resealable container reduces contaminant exposure.

Model	Quantity / Size	Part #
Packets (box)	60 (6" x 8.5" sheet)	114132-10
Canister	100 (6" x 8.5" sheet)	114132-20



EDL E-Z PROBE COMPACT PYROMETER

- Compact, durable pyrometer that can be calibrated.
- Input jacks at top & bottom give operator complete versatility.
- Magnetic backing for hands-free use.
- Factory calibration available.

Model	Description	Part #
EZK-C Kit	Includes EZK-C, Straight Surface Sensor & Case	125882-10
EZK-C Kit (Calibrated)	Includes EZK-C, Straight Surface Sensor & Case	125881-10
E-Z Probe EZK-C	-30° - 1800° F	116398-10
Surface Sensor	Straight	116688-10
Surface Sensor	45°	122656-10
Hard Carrying Case	With Foam Insert	125821-10





*PERC Electrofusion Processors
being assembled here in the U.S.*

Located on Page 5

Plastic Pipe Squeeze & Cutting Tools

Our inside and outside sales representatives have the knowledge and experience to make sure you have the right tool for the right job.

SQUEEZE-OFF TOOLS

GROUNDING RODS

TOPSIDE CLAMPS

TOP REACH CLAMPS

SHEARS

CUTTERS





MUSTANG GLS 26

- Top-side operation for keyhole applications.
- Mid-range squeeze tool.
- Direct dial squeeze control.
- Heavy duty frame.
- Includes grounding rod.

Model	Tubing/Pipe Size	Part #
GLS 26	1/2" CTS - 2" IPS	121545-10



MUSTANG DBS 10A

- Service size squeeze tool.
- Single size specific.
- Open frame design.

Model	Tubing/Pipe Size	Part #
DBS 10A	1/2" CTS - 1" IPS	Please call
Customer Must Specify One Pipe Size and SDR Per Unit		



MUSTANG DBS 20C

- Mid-range squeeze tool.
- Accommodates two pipe sizes.
- Heavy duty frame.

Model	Tubing/Pipe Size	Part #
DBS 20C	1/2" CTS - 2" IPS	Please call
Customer Must Specify Two Pipe Sizes and SDR's Per Unit		



Ask your representative about our tool repair services



MUSTANG DBS 24C

- Mid-range squeeze tool.
- Accommodates four pipe sizes.
- Heavy duty frame.

Model	Tubing/Pipe Size	Part #
DBS 24C	1/2" CTS - 2" IPS	Please call
Customer Must Specify Four Pipe Sizes and SDR's Per Unit		



MUSTANG DBS 44F

- Mid-range squeeze tool.
- Accommodates four pipe sizes.
- Heavy duty frame.

Model	Tubing/Pipe Size	Part #
DBS 44F	1" – 4" IPS	Please Call
Customer Must Specify Four Pipe Sizes and SDR's Per Unit		



MUSTANG DBG 60

- Mid-duty squeeze tool.
- Accommodates two pipe sizes.
- Heavy-duty frame.
- Includes SC-60 saddle clamps (see page 28)

Model	Tubing/Pipe Size	Part #
DBG 60	3" – 6" IPS	Please Call
Customer Must Specify Two Pipe Sizes and SDR's Per Unit		



Ask your representative about our tool repair services





MUSTANG HYDRAULIC DBM 60

- Mid-duty squeeze tool.
- Accommodates two pipe sizes.
- Heavy-duty frame.
- Includes 20A Pump and SC-60 saddle clamps

Model	Tubing/Pipe Size	Part #
DBM 60	3" – 6" IPS	Please Call
Customer Must Specify Two Pipe Sizes and SDR's Per Unit		



MUSTANG HYDRAULIC DBML 80

- Mid-duty squeeze tool.
- Accommodates two pipe sizes.
- Heavy-duty frame.
- Includes 20A Pump and SC-80 saddle clamps

Model	Tubing/Pipe Size	Part #
DBML 80	3" – 8" IPS	Please Call
Customer Must Specify Two Pipe Sizes and SDR's Per Unit		



MUSTANG HYDRAULIC DBH 1200B

- Heavy-duty squeeze tool.
- Accommodates four pipe sizes.
- Heavy-duty frame.
- Includes 25A Pump and SC-1200 saddle clamps

Model	Tubing/Pipe Size	Part #
DBH 1200B	6" – 12" IPS	Please Call
Customer Must Specify Four Pipe Sizes and SDR's Per Unit		



Ask your representative about our tool repair services



MUSTANG GROUNDING ROD

- Attaches to upper jaw grease fitting.
- Insulated braided copper cable and cast copper spike.

Model	Size	Part #
SEG 30	5' Cable, 12" Spike	121546-10

Grounding rods are recommended for use during all squeeze operations.



MUSTANG SADDLE CLAMPS

- Use with large pipe squeeze tools when additional compressive force is needed for difficult to squeeze PE pipe.
- SC-60 & SC-80 available in yellow (hydraulic) or blue (manual).

Model	Tubing/Pipe Size	Part #
SC-40/44	Fits Series 40/44 Squeeze tools	122179-20
SC-60	Fits Series 60 Squeeze tools	Please Call
SC-80	Fits Series 80 Squeeze tools (Yellow - Hydraulic)	122179-10
SC-80	Fits Series 80 Squeeze tools (Blue - Manual)	122179-30



MUSTANG HYDRAULIC PUMPS

- 2 stage design for rapid movement of upper jaw.
- High capacity oil reservoir and built-in pressure relief valve.

Model	For use with	Part #
20A (new style)	DBM 60 & DBML 80	122222-10
25A (with hose)	H Series Tools	122687-10
Model 30	Pump	127499-10
Hydraulic Oil	Use with all hydraulic tools	122248-10

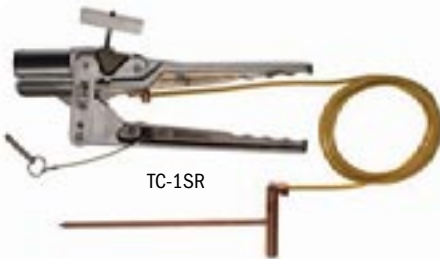




Rotating sleeve gives you 3 sizes in one tool.



TC-1



TC-1SR

TC-1 / TC-1SR / TC-2 TOPSIDE CLAMPS

- Rotating sleeve adjusts for multiple pipe sizes.
- Extension handles available. Custom lengths available.
- Customer must select 3 pipe sizes per unit

Model/Part	Tubing/Pipe Size	Part #
TC-1	1/2" CTS - 1-1/4" CTS	Please Call
TC-1SR (slow release)	1/2" CTS - 1-1/4" CTS	Please Call
TC-2	1/2" CTS - 2" IPS	Please Call
Grounding rod	With solid copper wire	115402-10
Locking Pin	NA	113745-10
Case	TC-1 + Grounding Rod	121133-10



TR270



TR650



TR170 TOP REACH CLAMP

Top-down remote squeeze-off solution for 1/2" - 1-1/4" CTS.

- Length: 6.5' / Width: 6.0" / Weight: 23.0 lb
- Standard Equipment:
 - Grounding rod with 10' copper cable
- Customer must select 3 pipe sizes per unit

TR270 TOP REACH CLAMP

Top-down remote squeeze-off solution for 1/2" CTS - 2" IPS.

- Length: 6.5' / Width: 10.5" / Weight: 19.0 lb
- Standard Equipment:
 - 4 slap-on jaws specific to customer pipe sizes
 - Hard carrying case
 - Grounding rod with 10' copper cable
- Customer must select 4 pipe sizes per unit

TR650 TOP REACH CLAMP

Top-down remote squeeze-off solution for 3" - 6" IPS.

- Length: 6.5' / Width: 17.8" / Weight: 116 lbs
- Standard Equipment:
 - Hard carrying case
 - Grounding rod with 10' copper cable
- Customer must select 2 pipe sizes per unit

Model	Tubing/Pipe Size	Part #
TR170	1/2" CTS - 1-1/4" CTS	Please Call
TR270	1/2" CTS - 2" IPS	Please Call
TR650	3" IPS - 6" IPS	Please Call



REED RATCHET SHEARS

Model	Tubing/Pipe Size	Part #
RS1	Cuts through 1.25" CTS	100250-10
RS1PLT	RS1 with Corrosion Resistant Blade	100253-10
RS2	Cuts through 2"	100254-10
RS7290	Cuts 2" PE Pipe and PVC	114425-10

Model	Description	Part #
RS1B	RS1 Blade	100251-10
RS1BPLT	RS1PLT Plated Blade	100252-10
RS2B	RS2 Blade	100255-10
RS7290B	RS7290 Blade (fits Wheeler 7290)	125751-10



REED IN-LINE ROTARY CUTTER

- Creates no dust and chips fall where they are cut.
- Only 6"-8" clearance needed to turn PLAS around pipe.

Model	Tubing/Pipe Size	Part #
PLAS1PE	Cuts through 6" - 12" PE Pipe	121915-10
PLASPEB	Replacement Blade	121944-10



REED GUILLOTINE CUTTERS

Model	Tubing/Pipe Size	Part #
HPC4+	2" - 4"	127590-10
HPC8+	3" - 8"	125391-10
HPC12	4" - 12"	100243-10

Model	Description	Part #
HPC4B	HPC4 Blade	100245-10
HPC8B	HPC8 / HPC8+ Blade	100247-10
HPC12B	HPC12 Blade	100534-10



NEW
2" - 4"
All aluminum
body. 22%
lighter!

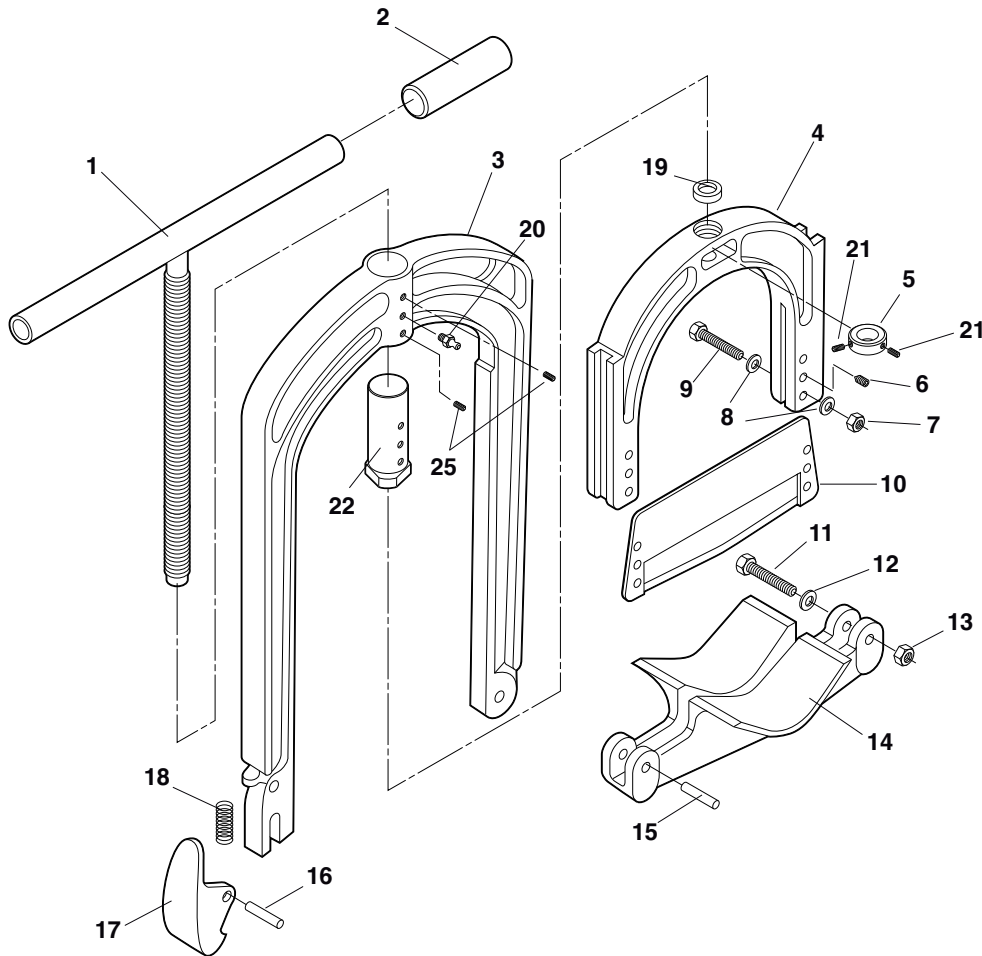


Ask your representative about our tool repair services





REED GUILLOTINE HPC4 & HPC8 REPLACEMENT PARTS

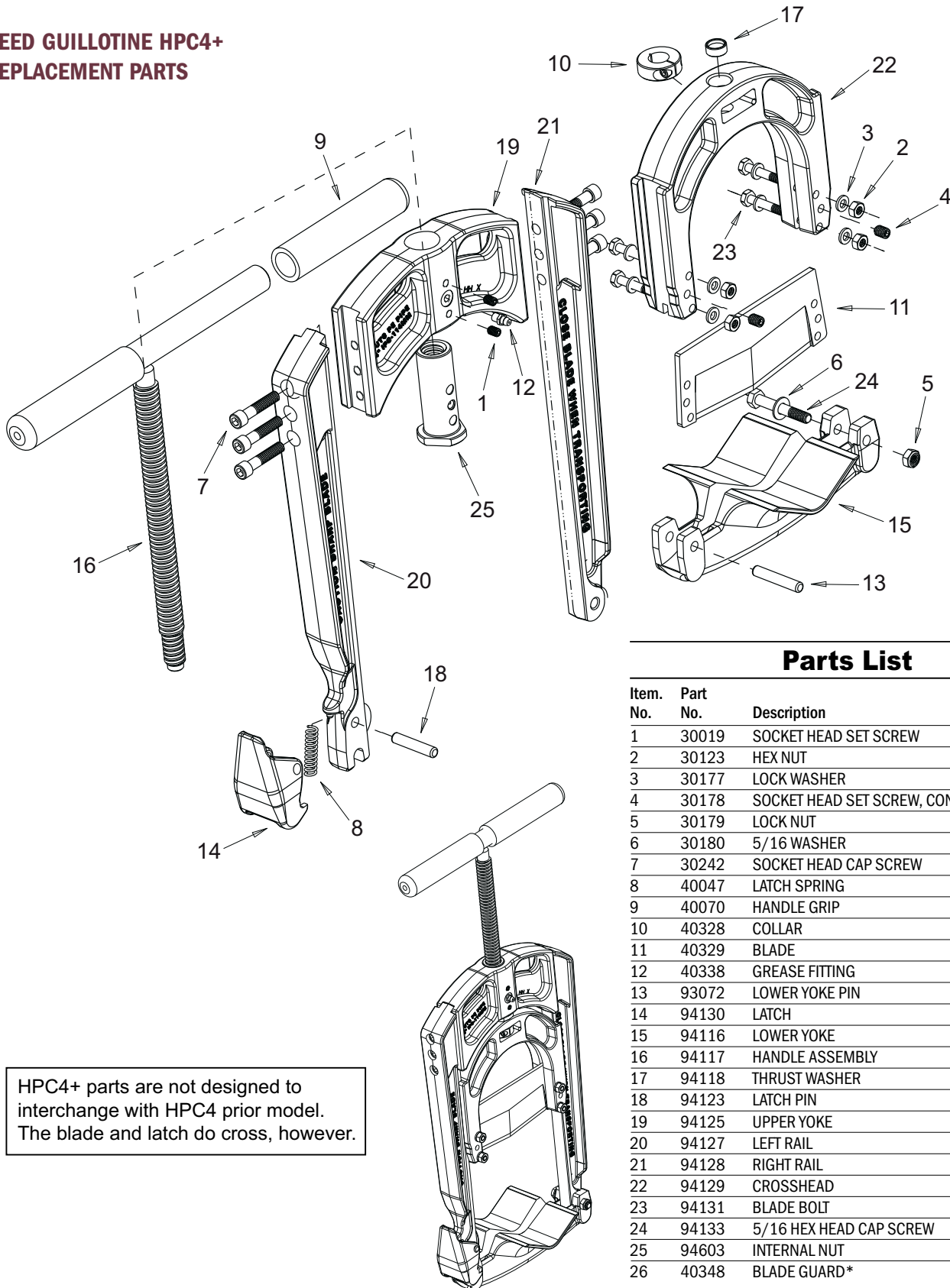


Ref. No.	Description	HPC4 Item #	HPC8 Item #	Qty. Used
1	Feed Screw Assembly	94113	94005	1
2	Black Handle Grip	40070	40095	2
3	Upper Yoke	94120	94012	1
4	Crosshead	94115	94003	1
5	Collar	40328	94144	1
6	Blade Set Screw	30178	30173	2
7	Hex Nut	30123	30176	4
8	Lock Washer	30177	30175	8
9	Blade Screw	94126	94132	4
10	Blade	40329	40027	1
11	Lower Yoke Cap Screw	94133	40031	1
12	Steel Washer	30180	30011	1
13	Flexioc Nut	30179	30143	1

Ref. No.	Description	HPC4 Item #	HPC8 Item #	Qty. Used
14	Lower Yoke	94116	94002	1
15	Lower Yoke Pin	94123	94007	1
16	Latch Pin	94124	94011	1
17	Latch	93115	93117	1
18	Latch Spring	40046	40030	1
19	Thrust Washer	98057	94145	1
20	Grease Fitting	40338	40338	1
21	Collar Set Screw	N/A	40090	2
22	Internal Nut	94603	94140	1
23	Roller	N/A	N/A	12
24	Shoulder Screw	N/A	N/A	12
25	Set Screw	30019	30019	2



**REED GUILLOTINE HPC4+
REPLACEMENT PARTS**



HPC4+ parts are not designed to interchange with HPC4 prior model. The blade and latch do cross, however.

Parts List

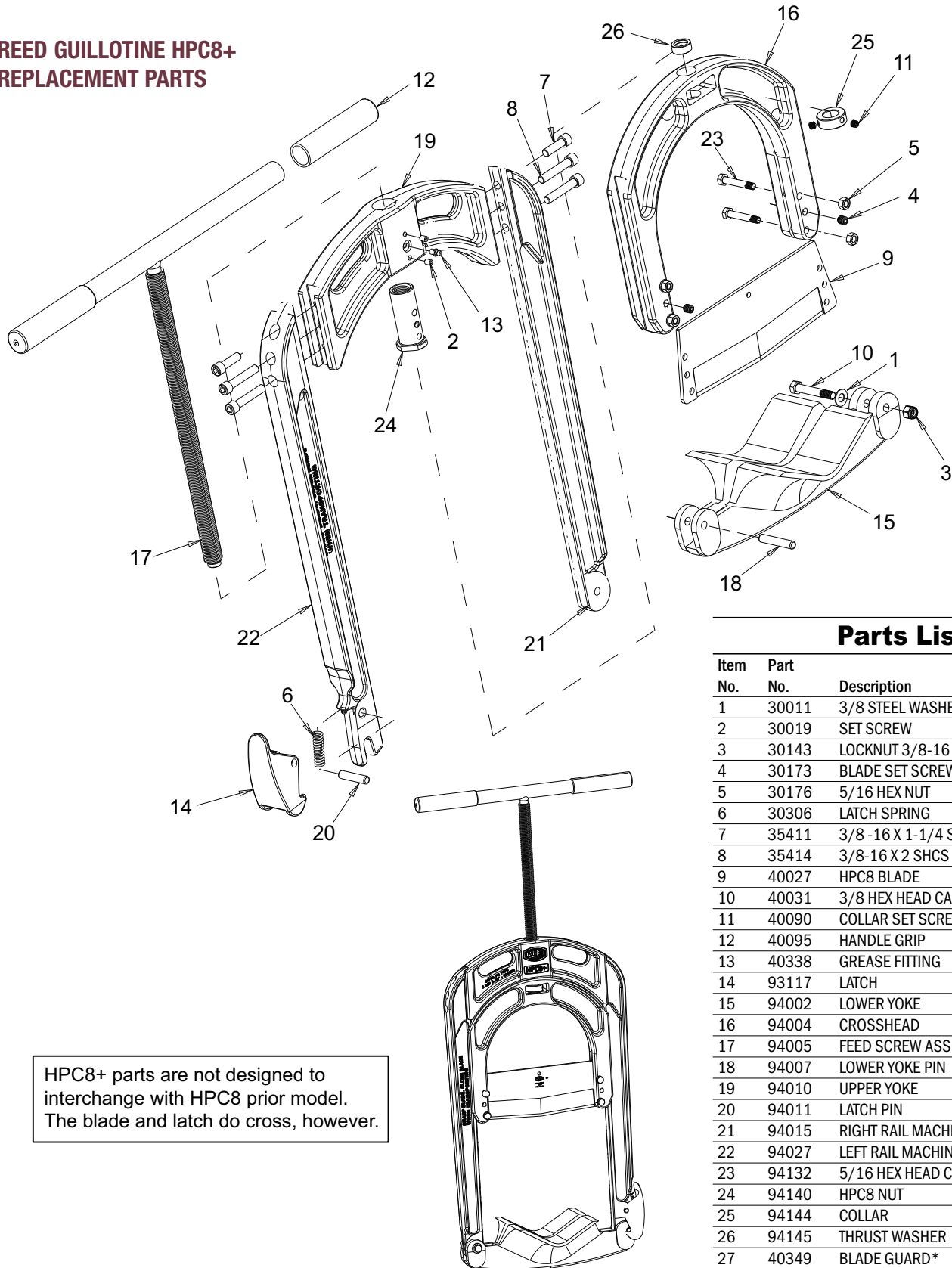
Item No.	Part No.	Description	Qty.
1	30019	SOCKET HEAD SET SCREW	2
2	30123	HEX NUT	4
3	30177	LOCK WASHER	8
4	30178	SOCKET HEAD SET SCREW, CONE POINT	2
5	30179	LOCK NUT	1
6	30180	5/16 WASHER	1
7	30242	SOCKET HEAD CAP SCREW	6
8	40047	LATCH SPRING	1
9	40070	HANDLE GRIP	2
10	40328	COLLAR	1
11	40329	BLADE	1
12	40338	GREASE FITTING	1
13	93072	LOWER YOKE PIN	1
14	94130	LATCH	1
15	94116	LOWER YOKE	1
16	94117	HANDLE ASSEMBLY	1
17	94118	THRUST WASHER	1
18	94123	LATCH PIN	1
19	94125	UPPER YOKE	1
20	94127	LEFT RAIL	1
21	94128	RIGHT RAIL	1
22	94129	CROSSHEAD	1
23	94131	BLADE BOLT	4
24	94133	5/16 HEX HEAD CAP SCREW	1
25	94603	INTERNAL NUT	1
26	40348	BLADE GUARD*	1

*not shown





REED GUILLOTINE HPC8+ REPLACEMENT PARTS



HPC8+ parts are not designed to interchange with HPC8 prior model. The blade and latch do cross, however.

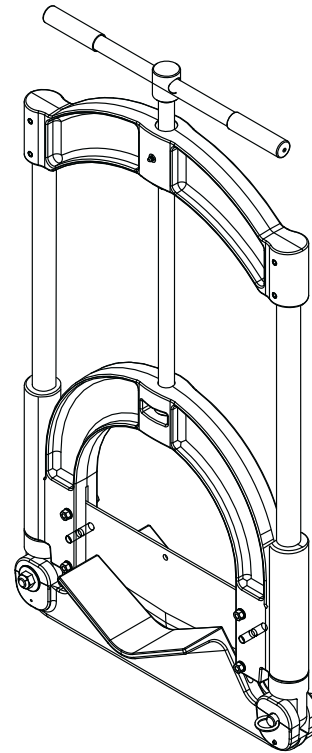
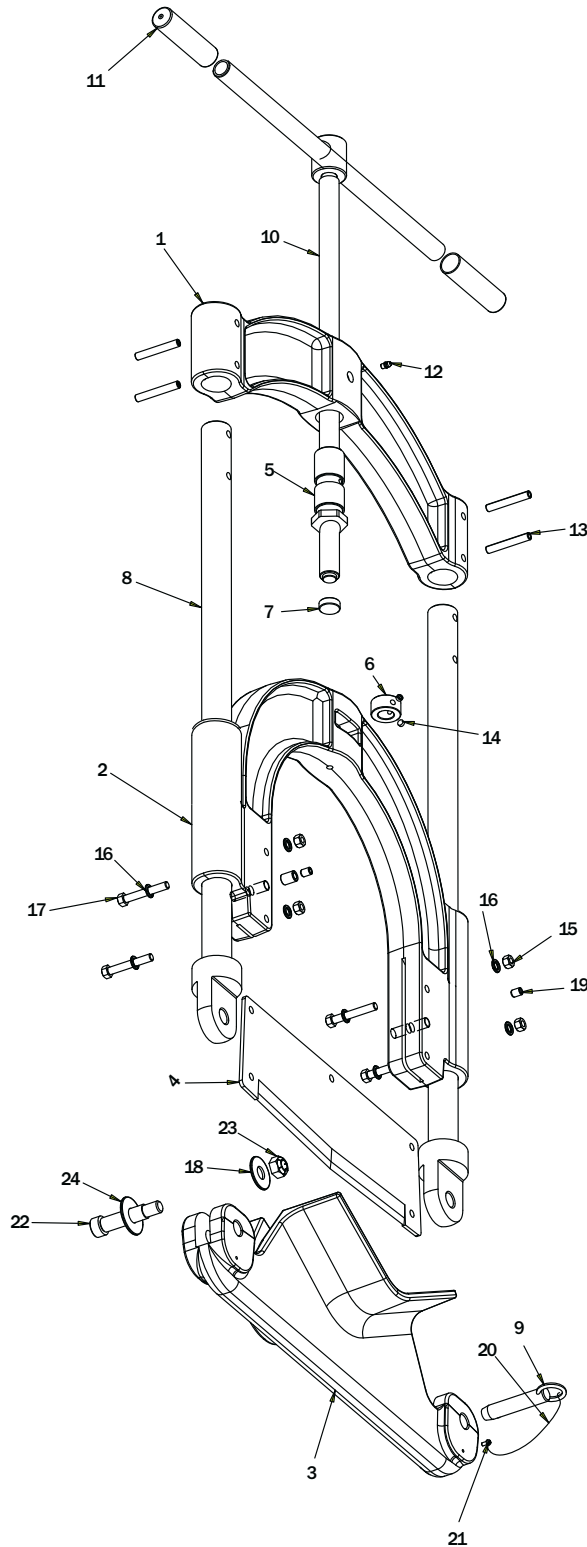
Parts List

Item No.	Part No.	Description	Qty.
1	30011	3/8 STEEL WASHER	1
2	30019	SET SCREW	2
3	30143	LOCKNUT 3/8-16	1
4	30173	BLADE SET SCREW	2
5	30176	5/16 HEX NUT	4
6	30306	LATCH SPRING	1
7	35411	3/8 -16 X 1-1/4 SHCS	2
8	35414	3/8-16 X 2 SHCS	4
9	40027	HPC8 BLADE	1
10	40031	3/8 HEX HEAD CAP SCREW	1
11	40090	COLLAR SET SCREW	2
12	40095	HANDLE GRIP	2
13	40338	GREASE FITTING	1
14	93117	LATCH	1
15	94002	LOWER YOKE	1
16	94004	CROSSHEAD	1
17	94005	FEED SCREW ASSEMBLY	1
18	94007	LOWER YOKE PIN	1
19	94010	UPPER YOKE	1
20	94011	LATCH PIN	1
21	94015	RIGHT RAIL MACHINED	1
22	94027	LEFT RAIL MACHINED	1
23	94132	5/16 HEX HEAD CAP SCREW	4
24	94140	HPC8 NUT	1
25	94144	COLLAR	1
26	94145	THRUST WASHER	1
27	40349	BLADE GUARD*	1

*not shown



**REED GUILLOTINE HPC12
REPLACEMENT PARTS**



Parts List

Ref. No.	Description	Item Code	Qty. Used
1	Upper Yoke	94900	1
2	Cross Head Assembly	94901	1
3	Lower Yoke	94902	1
4	Blade	94903	1
5	Nut	94906	1
6	Collar	94907	1
7	Thrust Insert	94908	1
8	Guide Rod Weldment	94913	2
9	Quick Release Pin	44911	1
10	Screw Weldment	94915	1
11	Handle Grip	40095	2
12	Grease Fitting	40338	1
13	Guide Pin	30013	4
14	Set Screw	40090	2
15	Hex Nut	39032	4
16	Lock Washer	30033	8
17	Leg Bolt	30187	4
18	Washer	34911	1
19	Set Screw	34920	2
20	Lanyard	44917	1
21	Screw	34907	1
22	Shoulder Bolt	34908	1
23	Lock Nut	30111	1
24	Washer	34910	1



Gas Main Tapping

Safe, gas-free tapping of plastic main is essential in today's gas industry. Mulcare not only offers the tools, but can also provide training and field support to make sure your crew is comfortable with the latest technology.

**NUPI HOT TAP SYSTEM
SKINNER DRILLING DEVICES**





Hot Tap System



NUPI CLOSE QUARTERS HOT TAP SYSTEM

- Effectively taps 2" - 8" laterals on PE main up to 12".
- Same assembly can be used for camera fittings.
- Gas free to 120 psi (no-blow).
- Fastens directly to valve, no extra fusions needed.
- Ultra compact design.

Model	Pipe Size	Part #
Hot Tap System	2" - 12" Mains	122448-30



Model / Size	Part #
Bell Adapter - 2"	121761-10
Bell Adapter - 3"	122786-10
Bell Adapter - 4"	121762-10
Bell Adapter - 6"	121763-10
Bell Adapter - 8"	122787-10



Model / Size	Part #
Cutter - 2"	121767-10
Cutter - 3"	122788-10
Cutter - 4"	121768-10
Cutter - 6"	121769-10
Cutter - 8"	122789-10



Branch Saddle Assembly Set-up



Camera Fitting Set-up



Camera Fitting Kit	Pressure Gauge
122790-10	122586-10





SKINNER DRILLING DEVICES

METHOD A – STREET TEE IN SERVICE SADDLE

Top Thread of Tee (inches)	3/4		1		1-1/4		1-1/2		2	
Drill Device No.	4		7		7		7		7	
Adapter No.	1		2		3		4		5	
Stock cutter numbers and diameters that can be used under this method	No.	Dia. (in.)	No.	Dia. (in.)	No.	Dia. (in.)	No.	Dia. (in.)	No.	Dia. (in.)
	1	5/8	22	7/8	7	1	19	1-3/16	21	1-7/8
	2	1/2	11	3/4	22	7/8	7	1	20	1-3/8
	3	3/8	2	1/2	2	1/2	11	3/4	19	1-1/5
4	1/4	4	1/4	4	1/4	2	1/2	7	1	



SKINNER DRILLING DEVICES: METHOD B – SERVICE SADDLE WITHOUT STREET TEE

Top Thread of Tee (inches)	3/4		1		1-1/4		1-1/2		2	
Drill Device No.	4		7		7		7		7	
Adapter No.	14		15		16		23		24	
Stock cutter numbers and diameters that can be used under this method	No.	Dia. (in.)	No.	Dia. (in.)	No.	Dia. (in.)	No.	Dia. (in.)	No.	Dia. (in.)
	11	3/4	7	1	19	1-3/16	20	1-3/8	21	1-7/8
	1	5/8	11	3/4	7	1	19	1-3/16	20	1-3/8
	2	1/2	2	1/2	11	3/4	7	1	19	1-3/16
4	1/4	4	1/4	2	1/2	11	3/4	7	1	



SKINNER DRILLING DEVICES: METHOD C – TEE OR PIPE NIPPLE WELDED TO MAIN

Top Thread of Tee (inches)	3/4		1		1-1/4		1-1/2		2	
Drill Device No.	4		7		7		7		7	
Adapter No.	6		7		8		9		10	
Stock cutter numbers and diameters that can be used under this method	No.	Dia. (in.)	No.	Dia. (in.)	No.	Dia. (in.)	No.	Dia. (in.)	No.	Dia. (in.)
	11	3/4	7	1	19	1-3/16	20	1-3/8	21	1-7/8
	1	5/8	11	3/4	7	1	7	1	19	1-3/16
	2	1/2	2	1/2	11	3/4	11	3/4	7	1
4	1/4	4	1/4	2	1/2	2	1/2	11	3/4	




SKINNER DRILLING DEVICES: METHOD D – VALVE CONNECTED TO MAIN

Top Thread of Tee (inches)	1		1-1/4		1-1/2		2	
Drill Device No.	10		10		10		10	
Adapter No.	27		26		25		22	
Stock cutter numbers and diameters that can be used under this method	No.	Dia. (in.)	No.	Dia. (in.)	No.	Dia. (in.)	No.	Dia. (in.)
	7	1	19	1-3/16	20	1-3/8	21	1-7/8
	11	3/4	7	1	19	1-3/16	20	1-3/8
	2	1/2	11	3/4	7	1	19	1-3/16
4	1/4	2	1/2	11	3/4	7	1	



Please contact us for help in ordering the correct equipment for your application.





An odorization set-up on a live gas main. The main was tapped utilizing the NUPI 8x2 Camera Fitting and NUPI Close Quarters Hot Tap System.

Look for the Nupi Close Quarters Hot Tap System on Page 35

Call now to place an order
973-335-4800

MULCARE

39

Service Renewal

Reamer kits effectively remove scale, slag, and weld beads from old steel services making the insertion of plastic much safer and easier.

REAMER KIT
CURB VALVE DRILL KIT
NOSE CONES






MULCARE GAS LINE REAMER KIT

- Smart, efficient way to clean a gas line prior to the insertion of polyethylene tubing.
- A powerful drilling and chipping action thoroughly removes any deposits in the steel gas line.
- Kit includes everything needed to thoroughly clean a gas line, including a tool box to hold all the components.
- For heavily obstructed gas lines, we recommend the special spherical “Cherry Burr” cleaning head.

PARTS

(included in each kit)

Existing Pipe Size	Complete Kit Part #						See picture above	
		Qty 1	Qty 1	Qty 1	Qty 3	Qty 12	Qty 1	Qty 1
		Air Motor Part #	Universal Joint Part #	Single-Pin Head Part #	Cone Cutter Part #	Star Cutter Part #	Wrench Part #	Tool Box Part #
3/4" IPS (19.1mm)	100033-10	100031-10	100036-10	100035-10	100032-10	100034-10	100037-10	124263-10
1" IPS (25.4mm)	100040-10	100038-10	100043-10	100042-10	100039-10	100041-10	100044-10	
1-1/4" IPS (31.8mm)	100047-10	100045-10	100050-10	100049-10	100046-10	100048-10	100051-10	
1-1/2" IPS (38.1mm)	100054-10	100052-10		100056-10	100053-10	100055-10	100058-10	

ACCESSORIES

(not included)

Existing Pipe Size						
	100 ft Air Hose Part #	50 ft Air Hose Part #	Air Line Lubricator Part #	Wilsolube Lubricant Part #	Flexible Holder Part #	Cherry Burr Part #
3/4" IPS (19.1mm)	115184-20	100019-20	100026-10	100029-10	100066-10	100068-10
1" IPS (25.4mm)	115185-20	100021-20	100027-10		100069-10	100071-10
1-1/4" IPS (31.8mm)					100072-10	100074-10
1-1/2" IPS (38.1mm)	115186-20	100023-20	100028-10		N/A	N/A
2" IPS (50.8mm)					N/A	N/A

MULCARE X-PANDER NOSE CONES

- X-Pander nose cones make plastic insertion smooth and easy.
- Prevents damage to your plastic insert.



Pipe Size	Part #
1/2" IPS	100193-10
1/2" CTS	100194-10
3/4" IPS	100195-10
1" IPS	100196-10
1" CTS	100197-10

Pipe Size	Part #
1.25" IPS	100198-10
1.25" CTS	114927-10
1.5" IPS	100199-10
2" IPS	100200-10

Call now to place an order
973-335-4800



WILSON CURB VALVE DRILL KIT

- Designed for drilling through valves and other obstructions in a gas line so a replacement line can be inserted inside the old line.
- Kit includes hole saws for 3/4", 1", 1-1/4", 1-1/2" and 2" gas lines.
- The Curb Valve Drill Kit includes all the tools and components needed to quickly and efficiently drill through valves and other gas line obstructions, including a tool box to hold all the components.
- One and two-foot extension rods are easily assembled, enabling the tool to reach over 50 feet into a gas line.



Model	Quantity	Part #
Full Kit	1	100012-10
Air Motor	1	121396-10
Hole Saw 3/4"	1	100006-10
Hole Saw 1-1/4"	1	100007-10
Hole Saw 1-1/2"	1	100008-10
Hole Saw 2"	1	125202-10
Carrying Case	1	100002-10
Drive Shank 1 ft	1	100004-10
Drive Shank 2 ft	1	100005-10
Saw Adapter (1/2 - 20)	2	100017-10
Saw Adapter (5/8 - 18)	2	100015-10
Rod Assembly 1 ft	2	100014-10
Rod Assembly 2 ft	25	100016-10
Rod Adapter	15	100013-10
Dead Handle	1	100003-10
Jacobs Chuck 1/2"	1	100011-10
Jacobs Chuck Key	1	100010-10





*Kleiss stop off system being used
on a live main.*

Located on Page 47

Valve Tooling

A valve maintenance program is critical to maintaining a safe gas distribution system.

Having the right tools for the right job saves time and promotes a safe working environment.

Our wide selection of pipe tools can be set up to tackle almost any job.

VALVE GATE KEYS

VALVE EXTENSIONS

CLEANOUT TOOLS

HYPREGUN

PLUG VALVE SEALANT

SEALANT INJECTION RODS

PIPE WRENCH ASSIST





REED VALVE GATE KEYS

- Compact size.
- Wide choice of attachable tools.
- Several socket configurations.

Model	Length	Part #
Main Valve Key	6' 8"	121623-10
Main Valve Key Kit	12' 7"	121742-10

Length represents the key as sold without any extra pieces



KRAVITCH VALVE GATE KEYS

- Various lengths available.
- Offered in different shank materials.
- Several socket configurations.

Model	Size	Part #
Long Eye Operator Gate Key	3' – 6'	Please Call
Fixed Open Gate Valve Socket	1/2" – 2"	Please Call



KRAVITCH CLEANOUT TOOLS

- Various styles and lengths available.
- Remove stones, dirt and debris from curb and valve boxes.

Model	Part #
Valve Spoon	Please Call
Duckbill Cleanout (CT106)	Please Call
Clamshell (Small CT110)	Please Call
Clamshell (Large CT109)	Please Call



FLOWERVE NORDSTROM HYPREGUN

- Compact and efficient design.
- Air operated sealant injection with 15,000 psi gauge.
- Versatile design for servicing small or large valves.
- Motors operate at 100:1 pressure on 100 to 125 psi air.
- Ten foot hose is easily extended into tight spaces.

Model	Size	Part #
Hypregun-Plus 5G	5 Gallon	118171-10
Hypregun 5Q	5 Quart	113543-10
Valve Purge	5 Quart	100289-10
Button Head Coupler	—	115169-10



FLOWERVE NORDSTROM 400-D HAND GUN

- Versatile hand-held operation.
- Perfect for tight quarters or remote locations.
- Rated at 10,000 to 11,000 psi.
- Dependable performance under all conditions.

Model	Part #
400-D Hand Gun	100278-10
Case	122243-20
Valve Purge - Gun Pack	100290-10
Button Head Coupler	115169-10



PLUG VALVE SEALANT

Sealant	Size A	Size B	Size C	Size D	Size G	Size J	Size K	Gun Pak	Cartridge	5 Quart	5 Gallon
Quantity	24	24	24	24	24	6	12	6	4	1	1
Diameter	.25	.41	.55	.66	.86	1.47	1.53	—	—	—	—
Length	.88	1.38	2	2.44	3.38	8.75	10	—	—	—	—

Please call to order for your specific application.

SEALANT COMPOSITION

Sealant	167	234	421	555	654	755	950	960	1033
Color	Gray	White	Cream	Brown	Brown	Pink	Cream	Cream	Green
Base Oil	Hydrocarbon	Silicone	Hydrocarbon	Vegetable Oil	Hydrocarbon	Polyglycols	Synthetic	Synthetic	Synthetic

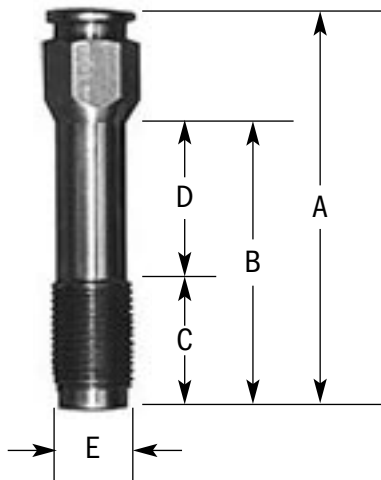




SEALANT INJECTION RODS & FITTINGS

- Sizes 3' – 8'.
- All fittings rated at 10,000 psi or above.
- Available in painted or stainless steel.
- Please call for pricing.

Model	Size	Part #
Button Head Fitting	1/4"	115095-40
Button Head Fitting	3/8"	115095-10
Button Head Fitting	1/2"	115095-20
Button Head Fitting	3/4"	115095-30
Giant Button Head Fitting	1/4"-18 NPT	115095-50



FITTING CHART

	A	B	C	D	E
1/4"	2.36"	1.5"	1.25"	.25"	.52"
3/8"	3.06"	2.0"	1.8"	.20"	.65"
1/2"	3.3"	2.7"	2.1"	.60"	.81"
3/4"	4.68"	3.5"	1.7"	1.8"	1"

PIPE WRENCH ASSIST

- Cast Aluminum designed to gradually yield before equipment is over-torqued
- Tool is secured to the wrench by a Safety D-Ring which prevents rotating or detaching
- Available in padded, knurled anti-slip, or PVC dipped handle

Wrench Size	Padded Part #	Knurled Part #	PVC Dipped Part #
14"	125017-30	125017-40	125017-50
18"	125017-10	125017-60	125017-20
24"	125018-10	125018-20	125018-30
36"	125017-70	125017-80	125017-90
48"	125017-100	125017-110	125017-120



Call now to place an order
973-335-4800

Flow Stop Off, Bags & Plugs

Mulcare stocks a large array of plugs, bags and stoppers. Our staff is well-versed in making sure you have the right stopper for your application.

Ask about our stop off system for cast iron, steel and plastic for up to 60psi

MCS KLEISS FLOW STOP SYSTEM

WOOD PLUGS

SERVISTOPS

X-PANDER PLUGS

EXPANSION PLUGS

SAFETY BAGS

GOODMAN STOPPERS



MCS KLEISS FLOW STOP SYSTEM

- Lightweight, easy-to-handle and install
- Designed for all pipe materials – cast iron, steel, polyethylene, and PVC
- Use with a range of pipe sizes with pressures up to 60 psi
- Only one size drilling cutter needed for all pipe sizes
 - 3" - 8" System – 2" Cutter (Up to 60 psi)
 - 10" - 16" System – 4" Cutter (Up to 60 psi)
 - 18" - 24" System – 6" Cutter (Up to 15 psi)
- Single tap with one tool provides multiple functions
 - System line pressure monitoring
 - Downstream pressure monitoring
 - MDS Stopper inflation and monitoring
 - Pipeline purging/evacuating and venting
- Patented MDS Stopper
- 3X safety factor with a gas tight seal

Model	Tubing/Pipe Size	Part #
MCS60-38	3" - 8"	Please Call
MCS60-1016	10" - 16"	Please Call
MCS15-1824	18" - 24"	Please Call
Drilling Kit	3" - 8"	Please Call
Drilling Kit	10" - 16"	Please Call
Drilling Kit	18" - 24"	Please Call
Jack System	For MCS60-38	124888-10
Jack System	For MCS60-1016 & MCS15-1824 (requires Jack Bracket)	124889-10
Jack Bracket	For MCS60-1016 & MCS15-1824	124890-10
MCS6038ESPK	Spare Parts Kit	126915-10



Flow Stopping System



Drilling Kit



Ask your representative about our inspection and preventative maintenance programs

Call now to place an order
973-335-4800

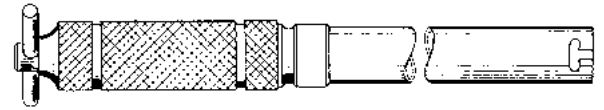
MULCARE



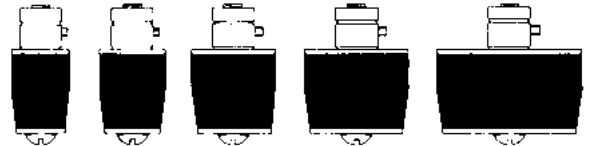


X-PANDER PIPELINE SAFETY PLUGS

- Use to shut off gas flow for testing, service or even to keep dirt out of pipes during installation.
- Plug sizes 3/4" – 2".
- Wrench sizes 7" – 72" long.
- Custom sizes available.
- Can be used over and over.



WRENCH



Model	Length	Part #
X-Pander Wrench	7"	100184-10
	12"	100185-10
	18"	100186-10
	24"	100187-10
	36"	100188-10
	48"	100189-10
	60"	100190-10
	72"	100191-10

Model	Tubing/Pipe Size	Part #
X-Pander Plug	1/2"	100178-10
	3/4"	100179-10
	1"	100180-10
	1-1/4"	100181-10
	1-1/2"	100182-10
	2"	100183-10

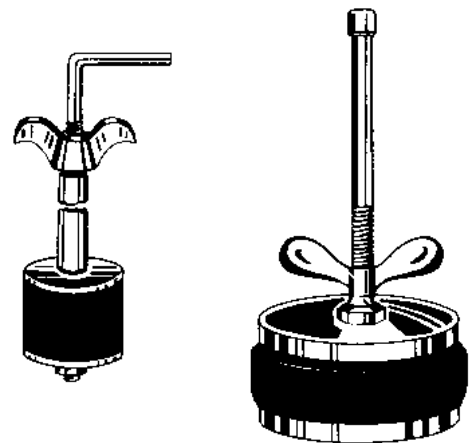
SERVICE WORK EXPANSION PLUGS

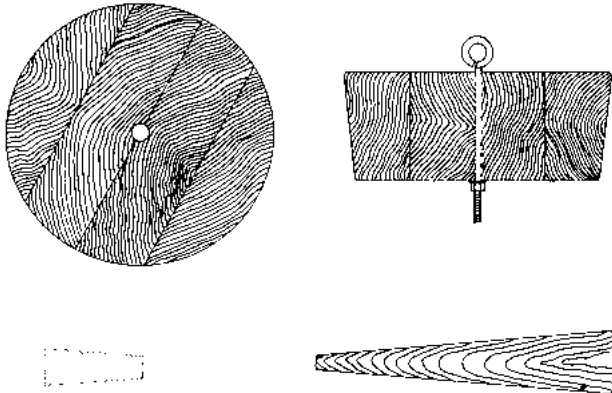
- Can be used for temporary gas shutoff or in a tee during service renewal or installation. 1/2" - 1-1/4" sizes available.

MAIN WORK EXPANSION PLUGS

- Can be used in either bell or spigot end for testing or temporary shut-off. 2" - 6" sizes available.
- 8" standard handle length. 18" and double rubber available by request.
- Overnight plugs.

Model	Tubing/Pipe Size	Part #
Type OA	1/2"	100420-10
	3/4"	100421-10
	1"	100422-10
	1-1/4"	100423-10
	1-1/2"	100424-10
Type A	2"	100425-10
	3"	100427-10
	4"	100428-10
	6"	121366-10





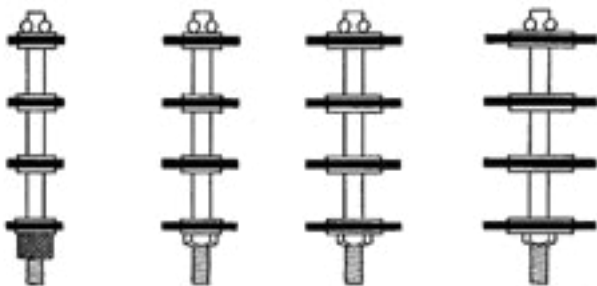
WOOD PLUGS

- Tapered wooden plugs for copper tubing, cast iron, steel and polyethylene pipe.
- 1/2" - 36" available from stock
- Custom sized, designed and fabricated to meet individual specifications.
- Eyebolt package for easy removal available on sizes 8" and up.

Model	Tubing/Pipe Size	Part #
Wood Plug	1/2" - 36"	Please call

SERVISTOPS

- Shut-off gas flow for pressures not exceeding 2-10 psi.
- Push Servistops into pipe with available t-wrench.
- No expansion necessary.



Model	Tubing/Pipe Size	Part #
Servistop	3/4"	100135-10
	1"	100136-10
	1-1/4"	100137-10
	1-1/2"	100138-10
	2"	100139-10

Model	Length	Part #
Servistop Wrench	9"	100143-10
	15"	100144-10
	18"	100145-10
	36"	100146-10
	48"	116847-10



SAFETY MAIN BAGS TYPE "PS"

- Available sizes 2-3", 4", 6", 8".
- All rubber construction.

Please contact us for help in ordering the correct size for your application.



SAFETY MAIN BAGS TYPE "B"

- Available sizes 2" - 48".
- 6 panel rubber construction.
- Nitrile available by request.

Please contact us for help in ordering the correct size for your application.



SAFETY MAIN BAGS TYPE "C"

- Available sizes 2" - 48".
- Canvas covered rubber bags.
- Nitrile available by request.
- Great for cast iron and rough surfaces.
- Optional 0-30# pressure gauge (Part # 118150-10)
- Pump (Part # 100527-10)

Please contact us for help in ordering the correct size for your application.

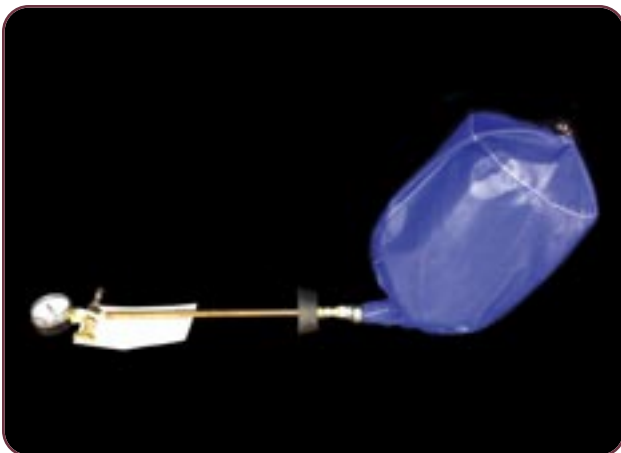




GOODMAN-PEDEN STOPPERS

- Available sizes 2" - 30".
- Spark free brass construction.
- Custom sized for steel and cast iron service.

Please contact us for help in ordering the correct size for your application.



SAFETY DIRECTIONAL GAS BAGS TYPE "D"

- Available sizes 2" - 42".
- Ballistics grade nylon.
- Custom sizes available.
- Straight or 90°.
- Brass directional spine for easy insertion.
- Upstream pressure monitoring available.

Please contact us for help in ordering the correct size for your application.



GARDNER GOODMAN STOPPERS

- Available sizes 2" - 30".
- Brass inflator sold separately.

Please contact us for help in ordering the correct size for your application.



Steel & Cast Iron Pipe Cutting, Beveling & Squeezing

*Mulcare stocks many replacement parts
and offers field service and support
for this equipment.*

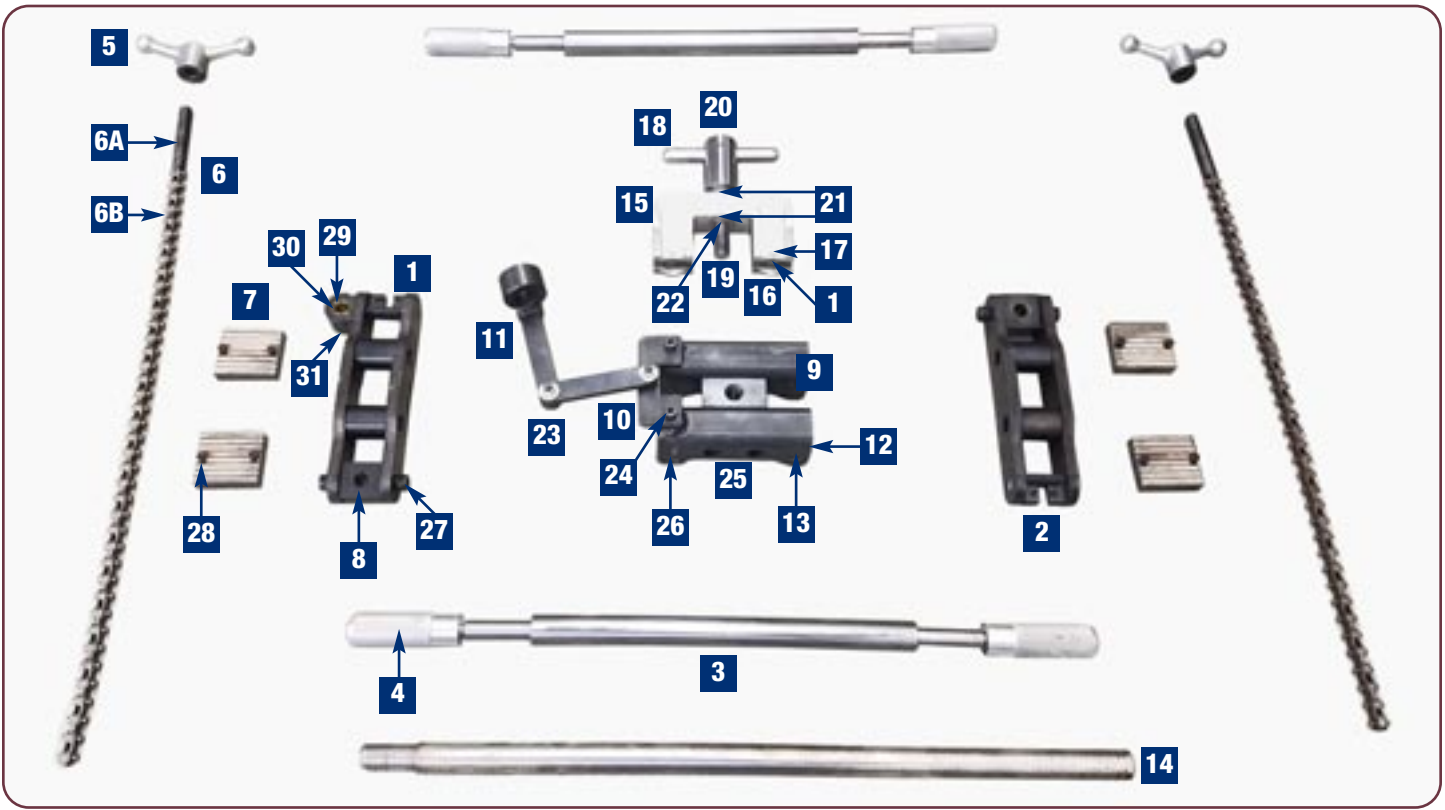
PAC28 PIPE AXIAL CUTTER
SOIL PIPE CUTTERS
SQUEEZE TOOL
HINGED CUTTERS
TRI-POD VISES
PIPE PUSHER



PAC28 AXIAL PIPE CUTTER

- Make spark-less longitudinal cuts on 2" - 8" steel or cast iron pipe without damaging PE pipe inside
- Use a standard four wheel cutter (see page 56) to effectively remove a section of casing pipe
- Weighing less than 75 lbs allows for single man operation
- Rugged machined steel components and hardened cutter wheels.
- Easily field maintained

Model	Part #
PAC28	122908-10
Spare Cutter Wheels (2 per tool required)	122931-10



PAC28 REPLACEMENT PARTS

Ref. No.	Description	Part #	Pieces per tool
1	Left Support (w/hole for Pivot Link)	122916-10	1
2	Right Support	122917-10	1
3	Support Bar (w/out hand grips)	122918-10	2
4	Hand Grip	122919-10	4
5	Chain Handle	122920-10	2
6	Link Chain and Threaded Rod Screw Assembly	122921-10	2
6A	Threaded Rod Screw Assembly	122921-30	2
6B	Link Chain	122921-20	2
7	Jaw	122922-10	4
8	Pivot Block	122923-10	2
9	Carriage	122924-10	1
10	Mounting Plate	122925-10	1
11	Pivot Link Assembly (Includes Bolts/Nuts/Washers)	122926-10	1
12	Roller	122927-10	4
13	Roller Pin	122928-10	4
14	Operating Handle	122929-10	1
15	Yoke	122930-10	1

Ref. No.	Description	Part #	Pieces per tool
16	Cutter Wheel (Generic wheels can be used but not recommended)	122931-10	2
17	Cutter Wheel Pin	122932-10	2
18	Feed Screw Crank	122933-10	1
19	Feed Screw	122934-10	1
20	Feed Screw Crank Pin	122935-10	1
21	Thrust Bearing	122936-10	2
22	Feed Screw Pin	122937-10	1
23	Bolt/Nut/Washers for Pivot Link Assembly	122938-10	2
24	Mounting Plate Allen Screws	122939-10	2
25	Carriage Screws	122940-10	1
26	Cutter Wheel Retention Screws	122941-10	8
27	Pivot Block Screw	122942-10	4
28	Jaw Allen Screws	122943-10	8
29	Brass Bushing for Left Support	122944-10	1
30	Brass Washers	123168-10	2
31	Snap Ring	123169-10	1





REED SOIL PIPE CUTTERS

- Fastest way to cut cast iron soil pipe.
- Available in single stroke or ratcheting models.

Ratchet Model	Pipe Size	Part #
SC49-6	1.5" – 6"	119647-10
SC49-8	1.5" – 8"	120126-10
SC49-10	1.5" – 10"	123658-10
SC49-12	1.5" – 12"	116932-10
SC49-15	1.5" – 15"	123510-10

Single Stroke Model	Pipe Size	Part #
SC59-6	1.5" – 6"	REED 08059
SC59-8	1.5" – 8"	123210-10
SC59-10	1.5" – 10"	123211-10
SC59-12	1.5" – 12"	REED 08062
SC59-15	1.5" – 15"	REED 08063



REED DESCALER

- Faster and more effective than chisels, chains or files.
- Needs only 2" of clearance around the pipe.

Model	Size	Part #
DS12	3" – 12"	100241-10
DS36	12" – 36"	118015-10



PS-62B



PS-75

MUSTANG EMERGENCY STEEL PIPE SQUEEZE TOOLS

- Hand operated, lightweight, self contained hydraulic squeeze tools
- Short pump stroke for rapid emergency closure
- Rounded jaw which lessen the chances of severing brittle pipe or pipe of unknown chemistry
- Pressure Relief Bypass System for increased safety
- Latched lower jaw and 90° swivel head

Model	Tubing/Pipe Size	Part #
PS-62B	3/4" - 2" IPS – 18 tons of force	121830-10
PS-75	3/4" - 2" IPS – 34 tons of force	121830-20

Grounding rods are recommended for use during all squeeze operations. Please see page 28 to order.



REED 4 WHEEL HINGED CUTTERS

- Requires only 90° - 100° swing range.
- Only needs 4" clearance around pipe.
- 2" - 12" range.
- Cuts steel, stainless steel, cast and ductile iron.

Model	Tubing/Pipe Size	Part #
H4S	2" - 4"	121319-10
H6S	4" - 6"	116057-10
H8S	6" - 8"	123483-10
H12S	8" - 12"	116059-10

Full assortment of replacement cutter wheels available



REED TRI-POD VISE

- Chain vise style.
- Hold up to 6" pipe.
- Reinforced undertray for stability and tool storage.

Model	Tubing/Pipe Size	Part #
R450+	1/8" - 6"	117357-10
R470+ (larger base)	1/8" - 6"	Please Call



R470+





Reed guillotine cutter being used to remove a section of pipe.

Located on Page 30

Polyethylene Valves & Fittings

*Mulcare stocks PE valves and electrofusion fittings
for large utility stock requirements.*

PE PIPE ELECTROFUSION REPAIR
ELECTROFUSION FITTINGS
BRANCH SADDLES
CAMERA FITTINGS
WEAK LINK
POLYVALVES
FOAM PIGS
PIG PEN



NUPI VARIABLE LENGTH REPAIR SLEEVE (VLRS)

The Variable Length Repair Sleeve (VLRS) is a modular system of electrofusion shells that can be installed contiguously and welded on pipes that have notches, scrapes or damage along the axis.

- Rated up to 124 psi
- Effective on all PE resins
- Included undersaddle clamp for ease of installation
- Universal barcode technology to complete fusion

Model	Pipe Size	Part #
Standard Assembly	2" IPS - 180°	121584-100
	4" IPS - 180°	121584-30
	6" IPS - 180°	121584-50
Middle Assembly	2" IPS - 180°	121584-110
	4" IPS - 180°	121584-40
	6" IPS - 180°	121584-60
Jumper Cables	All	121428-20



NUPI BUTT FUSION REPAIR SLEEVE (BFRS)

The Butt Fusion Repair Sleeve (BFRS) is a safety/repair system to be used to permanently reinforce suspect butt fusion welds.

- Effective on all PE resins
- Rated up to 124 psi
- Universal barcode technology to complete fusion
- Clamps and cables sold separately

Model	Pipe Size	Part #
Standard Assembly	2" IPS - 360°	121584-70
	4" IPS - 360°	121584-10
	6" IPS - 360°	121584-20
	8" IPS - 360°	121584-80
	12" IPS - 360°	121584-90
Installation Kit	Includes wrench, clamps, & jumper wires	122619-20

**SEE OUR FUSEMASTER
ELECTROFUSION
GAUGE ON PAGE 10**





NUPI TAPPING TEES

- 1-1/4" - 12" main sizes with 1/2" CTS - 2" IPS outlets available.
- Service and high volume sizes available for SPT & HVPT.
- Unique dual seal, no blow tapping performance.
- Multiple levels of quality control.
- No special installation tools needed; plastic or strap underclamp included with every fitting.

NUPI ELECTROFUSION COUPLINGS

- 1/2" service to 12" main available.
- Multiple levels of quality control.
- Specialty reducers, elbows, tees, and endcaps available.

NUPI CAMERA & BRANCH SADDLES

- Camera fittings come standard with completion plug for a gas tight seal.
- No special tools needed, plastic or strap underclamp included with every fitting.
- Electrofusion branch saddles as large as 12" x 6" available for easy main extension projects.
- NPT series available.



Please contact us for help in ordering the correct size for your application.

WEAK LINK P20

- The Weak Link helps protect pipe during installation. It is designed to yield at a force of approximately 20% less than normal tensile strength of PE pipe.
- It is available in both yellow medium density PE pipe and black high density PE pipe. Sizes from 1/2" CTS to 8" IPS.
- For a complete system, add the Pulling Head and Mud Plug to your Weak Link. The Pulling Head leads your new PE through the bore and the Mud Plug keeps debris out of your pipe during pull back if the Weak Link is compromised.

Please contact us for help in ordering the correct size for your application.





POLYVALVE, LLC

- 1/2" to 12" ball valves available.
- No metal internal parts.
- Bubble-tight shutoff from dual elastomeric seats.
- Fused body shell eliminates leak paths to atmosphere.
- High-grade polymeric materials eliminate corrosion.

We offer a full range of Polyvalve, LLC products. Please contact us for help in ordering the correct size for your application.



FOAM PIGS

- Used for light cleaning, air removal prior to hydrostatic testing, water evacuation and drying.
- Their resilience enables them to negotiate short radius elbows, miter bends, and major diameter reductions.
- Sizes from 2" - 42".

We offer a full range of foam pigs. Please contact us for help in ordering the correct size for your application.



PIG PEN

- Safely collect foam pigs and debris that come out of the gas pipeline while pigging.
- Can be used on multiple PE pipe sizes and easily installs in minutes without the need for additional tools.
- It is durable, reusable, and rolls up in to a compact shape.

Model	Tubing/Pipe Size	Part #
PPE550-744	Pig Pen with collar sizes for 2", 4" and 6" PE Pipe	124655-10
LC420	1-1/4" Add on collar with screw clip	124655-20
LC650	3" Add on collar with screw clip	124655-30

Marking, Locating & Leak Detection

ELECTRONIC BALL MARKERS
PE PIPE LOCATING TOOLS
METAL PIPE & TRACER WIRE LOCATORS
TEE'D UP MARKERS
GAS TORNADO
EZ JACK PLUNGER
BAR PULLER
DYNAMIC CONE PENETROMETER
DIGGING BARS
PROBE BARS



3M™ BALL MARKERS

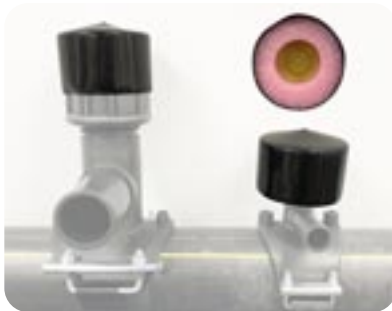
- Depth of up to 5'.
- Unique self-leveling design ensures the marker is always in an accurate, horizontal position.
- 3M-iD markers enable data to be stored in the marker to ensure positive identification of facilities.
- Water resistant polyethylene shells are impervious to minerals, chemicals and temperature extremes.

Model	Description	Part #
EMS Ball Marker 1405-XR	Passive	100681-20
iD Ball Marker 1425-XR/iD	Programmable	118971-10

3M™ ELECTRONIC MARKERS

- Near-surface marker - depth of up to 3' (0.9 meters).
- Mini-markers - depth of up to 6' (1.8 meters).
- Full Range markers - depth of up to 8' (2.4 meters).
- EMS Rope - depth of up to 4' (1.2 meters).
- EMS Marker Tape - depth of up to 2' (0.61 meters).
- Tapping Tee Cap Marker - depth of up to 5' (1.5 meters).

Model	Description	Part #
Near-Surface Marker - 1436	Passive	100682-20
iD Near-Surface Marker 1436-XR/iD	Programmable	Please Call
Mini-Marker - 1259	Passive	100683-10
Full Range Marker - 1254	Passive	118096-20
iD Full Range Marker - 1254-XR/iD	Programmable	Please Call
EMS Rope - 7705-HTS-Gas	Passive	123069-10
EMS Marker Tape - 7615-XR-Gas	Passive	124623-10
Tapping Tee Cap Marker	Passive	Please Call



3M™ DYNATEL™ X-SERIES MARKER SYSTEM LOCATORS

- Pinpoint the depth and location of all existing models of properly installed underground passive EMS markers.
- Locate, read and write to 3M iD markers.
- Conduct direct depth reading of markers.
- GPS and Bluetooth enabled.

Model	Part #
Dynatel™ iD Locator 1420X	127368-10
Dynatel™ Cable/Pipe Locator 2573X	127606-10
Dynatel™ iD Locator 7420X	Please Call



TEE'D UP MARKER

- Gives excavating operators early notice of buried utilities
- Embedded magnet makes it easy to identify the location above ground using a standard metal locator
- Modular design accommodates multiple applications

Model	Length	Part #
TMST-ST	Direct Pipe Application Kit	124906-10
TMTT-PC	Tap Tee Application Kit	124906-20
TMHV-C	High Volume Tap Tee Application Kit	124906-30
TM01-3M	Peg Base Kit	124906-40



GAS TORNADO

- Using the Venturi effect, this tool aggressively suctions gas from the ground. It generates 242" of simultaneous dry/wet pick-up power.
- No moving parts, no spark and no motor maintenance.
- Can be used in less than 2" diameter holes at any depth

Model	Length	Part #
T95993UNIT	Complete unit (includes power head & lower unit)	123757-10
T95993UNIT-TIP	Complete unit w/ threaded insert plug (includes power head & lower unit)	123757-20



Grounding rods are recommended with use. Please see page 28 to order.

EZ JACK PLUNGER

- One-Man Probing Tool with 52" Probe Depth
- Tempered Steel or Fiberglass Rod Options
- Comes with Oversized Replaceable Tips
- Sturdy, Plastic Coated (PVC) Handles

Model	Length	Part #
EZ1006	Heavy Duty - Standard Handle with Steel Rod	124797-70
EZ1005	Heavy Duty - Ergo Handle with Fiberglass Rod	124797-60
EZ1004	Utility - Ergo Handle with Steel Rod	124797-40
EZ1004F	Utility - Ergo Handle with Fiberglass Rod	124797-50
EZTIP-1116	Replacement Tip - 11/16" Screwed Ball Tip*	124600-50
EZ1005HO	Replacement Handle - Heavy Duty Ergo Handle*	124797-100

*Are interchangeable with Heath models

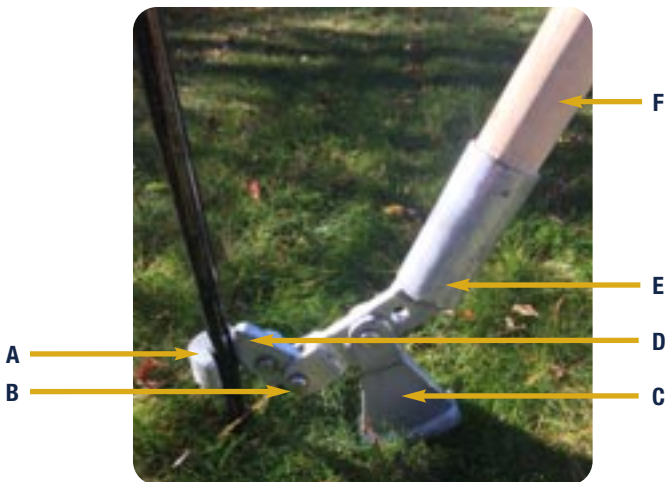




Model	Part #
Bar Puller	122998-10

PERC BAR PULLER

- All welded steel design
- Lightweight at less than 20 lbs. total weight
- Designed for one man operation
- Prevents pavement cracking
- Eliminates bar bending caused by other removal methods
- Adjustable to bar/pin diameters of 1/2" - 1 1/4"
- Pull stuck pneumatic tool bits from pavement and concrete
- Works on all ground surfaces during all seasons



REPLACEMENT PARTS

Ref	Description	Part #
A	Hook	123001-10
B	Hook/Jaw/Rocker Pin with Snap Ring	123006-10
C	Rocker	123003-10
D	Ratchet Jaw	123002-10
E	Lever	123004-10
F	Ash Wood Handle (6')	123005-10

DCP

- Verify compaction at any lift level during backfill.
- Reduce or eliminate costly tests by soil laboratories.
- Satisfy city and county requirements.



Model	Part #
DCP Kit (includes case and moisture meter)	113611-10
Moisture Meter	119186-10
Spare Tips	113612-10



PROBE BARS

- Sizes 3' – 8' lengths.
- Heat treated hexagon steel shank.
- Offered in different materials and sizes.
- Fishtail probe bar available.

Model	Length	Part #
Tee Handle Probe Bar	3'	Please Call
Single Point Probe Bar	3'	Please Call



DIGGING BARS

- Sizes 2' – 8' lengths.
- Steel shank with hard faced edge for better wear.
- Top of digging bar can be used to tamp the ground.

Model	Length	Part #
Digging Bar	2'	Please Call
	6'	Please Call
	8'	Please Call





Mustang DBH1200B being lowered for use on a 8" SDR9 live main.

Located on Page 27

System Protection

STATIKIL PE
GROUNDING ROD
LLFA TAPE PIPE REPAIR SYSTEM
CADWELD
BONDING CABLES
SOAP CANS
SCOTCHRAP PIPE WRAP
SCOTCHKOTE PRIMER
ANTI-THEFT/STOPPER PLUG
LINK SEALS PENETRATION SEALS
CASING ISOLATORS
END SEALS
WARNING TAPE
METER NUT WRENCH
BEYER BOX



Excellent visibility on all PE pipes



- Effectively eliminates static charges on PE gas pipe by increasing surface conductivity
- Eliminates need for bulky burlap or pipe wraps
- Keeps work area clear and eliminates trip hazards posed by other grounded pipe “wraps”
- To be used prior to construction operations including squeeze-off, repair, tapping, cutting, venting, etc.
- Colorant added for positive verification of product coverage
- Remains effective even after pipe is dry
- No aerosols. No wasted over spray.

Product available ready for use in:

- 32 oz spray bottle with simple trigger spray for accurate application. (Part # 121245-10)
- 1 Gallon containers (Part # 121245-20)

Specifications	
Composition	High Molecular Weight Topical Antistat
Physical Form	Liquid
Color	Gray Pigment for Visibility
Flash Point	None
Freeze Point	-10° F
Explosion Hazard	None
Specific Gravity	1.0
Odor	Mild Lemon
pH Regular	7.71
Static Decay Rate	MIL-B-81705-B At Relative Humidity @13% 72°F .35 Sec @5 KV

STATIKIL PE has been tested by independent laboratories and meets or exceeds ASTM D-257-80, MIL B-81705-B, Electronic Industry IS-5 and NFPA-99 specifications for surface resistivity and static decay.



ProReach128 (one gallon) long reach sprayer accessory available for above ditch applications (Part # 503664-10)

Health 0	Flammability 0
Reactivity 0	



PLEASE VISIT WWW.STATIKIL.COM TO SEE A VIDEO OF STATIKIL PE IN ACTION!



LLFA® TAPE

LLFA Tape is a self-fusing silicone based tape designed to seal leaks in harsh weather conditions and is currently used as a temporary or permanent repair for natural gas leaks.

- LIVE leak sealing <150psi on PE, Steel, Copper, Cast Iron, SST, etc.
- One-step, straightforward application with minimal prep time
- Stable from -130°F to 500°F (-90°C to 260°C)
- Highly UV & Ozone resistant
- No storage requirements, 4 year shelf life

LLFA® SMOOTH

Fast-acting insulating putty that stays flexible and works well in conjunction with LLFA Tape.

- Fill rough and/or uneven surfaces before using LLFA Tape
- Molds quickly and easily, without the use of gloves or chemicals.

LLFA® GARDE

Moisture cure polyurethane infused fiberglass tape for extra protection of LLFA Tape in extremely aggressive/abusive environments.

Model	Description	Part #
LLFA Tape	1" x 40mil x 36ft (Red)	123643-10
	1" x 40mil x 36ft (Black)	123644-10
	2" x 40mil x 36ft (Red)	123645-10
	1" x 40mil x 12ft (Red)	123643-20
LLFA Smooth	4oz, 113g (Standard)	123647-10
	3oz, 100g (Thin)	123648-10
	4"X 6" (Brick)	123649-10
LLFA Garde	3" x 5'	117119-10
	3" x 12'	117120-10
	4" x 12'	127298-10
V65 Tensioner	2" Tape Tensioner	123717-10





CADWELD® IGNITERS, ADAPTERS & ACCESSORIES

- Install exothermically welded connections.
- Options available for keyhole applications

Cadweld® Pulse Impulse Igniter	Part #
Igniter with 6' cord	125276-10
Igniter with 15' cord	125276-20

Cadweld® Mold Adapter	Part #
Steel Pipe Mold 3/4" - 3-1/2" diameter pipe	121920-10
Steel Pipe Mold 4" and larger diameter pipe	121919-10

Cadweld® Accessories	Part #
Copper Sleeves (Package of 100)	121922-10
Mold Cleaner Brush	121994-10
Mold Cleaner Scraper	121993-10
Flint Gun	124042-10
Pipe Clamp - Magnetic	121921-10



Standard Magnetic Ends

Spring Clamp Ends

BONDING CABLES

Maintain continuity between two pipe sections when welding to ensure both have adequate path to ground for safe and effective welds.

Lengths Available	Part #
6' Bonding Cable Assembly (Magnetic)	121822-10
10' Bonding Cable Assembly (Magnetic)	121822-20
20' Bonding Cable Assembly (Magnetic)	121822-30
6' Bonding Cable Assembly (Spring Clamp)	125672-10



SOAP CANS

- Metal construction with built in brush.
- Pint & quart sizes available.

Sizes Available	Part #
Pint Size Metal Soap Can with Brush	113822-10
Quart Size Metal Soap Can with Brush	113823-10



3M SCOTCHRAP

- PVC tape with a high-tack adhesive provides a corrosion- and impact-resistant seal for all-weather protection of metal piping systems above and below ground.

Model	Size	Part #
3M Scotchrap 50	10 mil, 1" x 100'	100663-10
	10 mil, 2" x 100'	100663-20
	10 mil, 4" x 100'	100663-30



3M SCOTCHRAP PIPE PRIMER

- A quick-drying, non-sag rubber base primer that permeates metal surface pits and irregularities, preparing the surface for tape application

Model	Size	Part #
Scotchrap Pipe Primer	1 gallon can	100664-10



VALVE BOX ANTI-THEFT

- Expandable EPDM plug blocks pipeline against tampering and gas theft.
- Standard diameters of 3.5" to 8.5".
- Custom sizes can be ordered upon request.
- 36" wrench sold separately.

We offer a full range of Goodman products. Please contact us for help in ordering the correct size for your application.

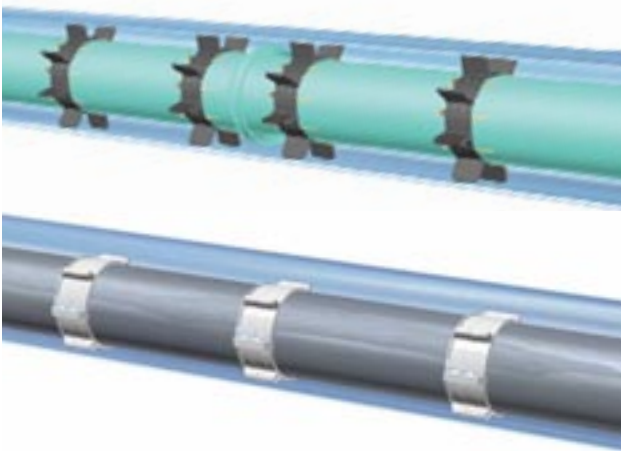




LINK SEALS

- Modular seals are used for permanently sealing pipes of any size passing through walls, floors and ceilings.
- Ductile iron, concrete, metal as well as plastic pipes may be hydrostatically sealed within walls to hold up to 20 psig (40 feet of static head).
- Seals are available for a wide variety of special applications, temperature extremes, exotic chemical combinations and for “out-of-round” or non-centered applications.

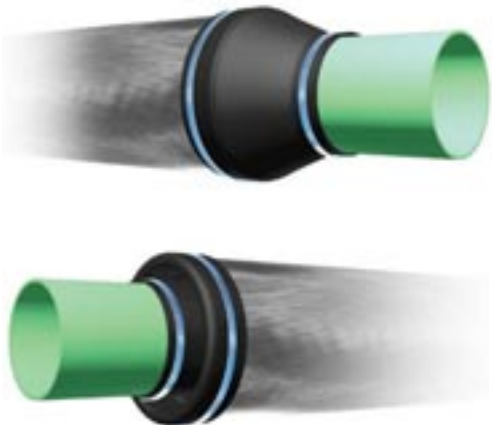
Please contact us for help in ordering the correct size for your application.



CASING ISOLATORS

- The Ranger II® is an entirely non-metallic casing isolator/spacer system that uses molded segments to encircle the carrier pipe.
- Model PE is a high density (linear), injection molded, virgin polyethylene casing isolator/spacer for a wide variety of double containment carrier/casing pipe applications.

Please contact us for help in ordering the correct size for your application.



MODEL "C" END SEALS

- Model "C" custom pull-on end seals are made to customer supplied specifications so they may be used for any size casing/carrier differential.

MODEL "S" STANDARD PULL-ON END SEALS

- Model "S" standard pull-on end seals are flexible and easily installed on nominal steel & IPS casing/carrier pipe combinations.

Please contact us for help in ordering the correct size for your application.



EMPIRE LEVEL NON-DETECTABLE WARNING TAPE

- Durable, dependable non-detectable polyethylene warning tape for service and other non-critical metallic installations.
- Installed at proper shallow depth, ShieldTec is tough, basic protection for any type of buried cable or pipe. Suitable for open trench installation.
- Custom artwork available.

Model	Size	Part #
Yellow with Black Type Caution Tape	3" x 1000'	100338-10
	6" x 1000'	100339-10



EMPIRE LEVEL REINFORCED NON-DETECTABLE WARNING TAPE: DURATEC®

- Premier non-detectable **woven** polyethylene tape.
- Patented reinforcing weave provides the strength needed for plowed-in installations.
- Will not stretch when dug into; the printed message stays intact and is easy to read.

Model	Size	Part #
Yellow with Black Type Caution Tape	3" x 1000'	114411-10



EMPIRE LEVEL PREMIUM DETECTABLE WARNING TAPE: MAGNATEC

- The premium detectable tape used for location and early warning protection for underground lines.
- Middle foil layer allows for both inductive and conductive locating.

Model	Size	Part #
Yellow/Silver, Black Type Caution Tape	2" x 1000'	100341-10
	3" x 1000'	115357-10
	6" x 1000'	115355-10

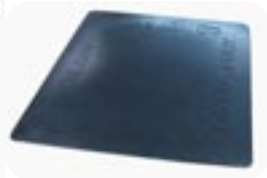




MD-52 METER NUT WRENCH

- Made from 4140 tool-grade steel.
- Nickel plated.
- 7 sided jaws properly sized to minimize damage to meter nuts.
- Multi-purpose with a meter nut wrench and meter valve adjustment feature.

Model	Description	Part #
MNW10	For 10 LT Meter Connection Spud	124752-20
MNW1A	For 1A LT Meter Connection Spud	124752-60
MNW20	For 20 LT Meter Connection Spud	124752-30
MNW30	For 30 LT Meter Connection Spud	124752-40
MNW45	For 45 LT Meter Connection Spud	124752-50
MNW4A	For 4A LT Meter Connection Spud	124752-70
MNWOX30	Dual sided. Used with 20 LT and 30 LT Meter Connection Spud.	124752-10



BEYER BOX - EASY VALVE ACCESS

- Establishes and protects access to the meter set valve.
- Eliminates the high cost to raise the service line and riser.
- Installation is simple and fast, a one man job.
- Minimizes disturbance to existing landscape.
- Establishes a safe installation with access to valve and no need for cathodic protection or anodeless riser service.
- Optional cover to offer long-term protection.

Model	Description	Part #
GARB16X16	Box & Lid	124645-10
GARB16X16B	Box Only	124645-20
GARB16X16L	Lid Only	124645-30



Methane Emissions Reduction

GOVAC FLEX
GOVAC MAX



GOVAC® FLEX

SYSTEM FOR PIPELINE EVACUATION
AND CNG COMPRESSION



SELF-CONTAINED, FULLY-AUTOMATED, NO EXTERNAL POWER REQUIRED

The GoVAC® FLEX system gives natural gas operators the ability to adopt best practices for performing natural gas capture and recovery during pipeline maintenance and other applications. In addition, the system can be used for natural gas vehicle refueling, station backup and filling tube trailers.

Our patented, portable, natural gas compressor offers a safe and practical solution that prevents methane emissions in achieving your company's environmental goals.

Freedom from External Power

No diesel, electricity, or any other fuel source required in its operation. The system runs on the natural gas it is evacuating from the pipeline.

Flexibility in Siting

Hazardous area compliant and can operate near pipelines without the need for external diesel generators or air compressors.

Portability/Mobility

Small enough to be pulled by a pickup. The self-contained, integrated system is easy to maneuver around a job site and requires no extra equipment.

Environmental Reporting

The intuitive control system provides operators with validated environmental reports and operational metrics.

Flexible Inlet/Outlet Pressures

The GoVAC® FLEX system can draw a pipeline from 1250 psig (*higher pressures optional*) to near 0 psig and transfer into an adjoining pipeline or a tube trailer at pressures up to 3600 psig.

24/7 Remote Monitoring

The GoVAC® FLEX system is equipped with cellular telematics which allows for remote operations monitoring and two-way communications.

FOR SALE, LEASE, OR AS A TURNKEY SERVICE

Call now to place an order
973-335-4800



GOVAC[®]
MAX
 PIPELINE EVACUATION SYSTEM

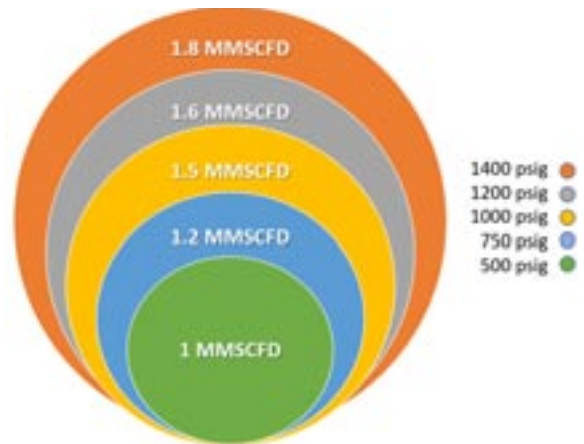
HIGH CAPACITY PIPELINE EVACUATIONS

The GoVAC[®] MAX system is a self-contained natural gas capture and recovery solution that eliminates the need for flaring or venting during pipeline blowdowns. The GoVAC[®] MAX system is built on our patented compression technology so it runs on the natural gas in the pipeline. This reduces the emission profile to a minimum and removes the need of additional equipment for natural gas recovery.

Operational Benefits and Advantages

- » High flow rates for fast evacuation of large projects
 - » Up to 2400 scfm
 - » Up to 1440 psig inlet/outlet pressure
- » Optimal performance and size for many applications
- » Dropout features for handling lower quality gas
- » Easy to operate and maintain
- » Internal tool and hose storage
- » Low noise
- » Intuitive and easy to read control panel
- » Remote monitoring
- » Automated controls and data collection
- » Validated environmental reporting

Average MMSCFD Transferred Based on Pipeline Starting Pressure



All projects evacuated down to 1 psig

Fully Automated, Digitized Evacuation

The control system provides automated data capture and ensures safe and tamper-proof transmission, storage and secure access. Accurate and validated environmental and operational reporting on key metrics are available to the operators both on site and remote. This digitized evacuation capability enables companies to fulfill current and future regulations and environmental initiatives.



Corporate Office
9 Mars Court, Unit 3
Boonton Twp, NJ 07005
t: 973-335-4800
f: 973-402-1558
info@mulcare.com
www.mulcare.com

Mulcare Pipeline Solutions. Since 1923, Mulcare has grown with the natural gas industry by delivering cutting edge equipment and services that consistently surpass expectations. We are focused and well-versed on the modern concerns of transmission and distribution companies, municipalities and contractors alike. Whether you require the industry's latest and most advanced products, on-site experts, money-saving solutions or all of the above, Mulcare can meet your needs.

Our Objective. We are committed to creating rewarding partnerships with our customers and principal suppliers. These relationships have yielded the industry's leading offering of products, equipment, tools and expertise: all the things necessary to compete in today's dynamic natural gas industry. We can lower your costs and design solutions for the installation, operation and maintenance of natural gas infrastructure.

Our Strengths. Industry experts focused in these areas:

- Commercial, Industrial & Residential Metering
- Commercial/Residential AMI/AMR (Itron ERT® Reader)
- Flow Control Valves & Pressure Regulators
- Gas Chromatography & Sampling Systems
- Odorant Injection, Detection & Analysis Equipment
- Dry & Coalescing Filters
- Pipeline & Instrument Heaters
- Polyethylene & Steel Valves
- Hot Tap & Flow Stop Equipment
- Electrofusion & Butt Fusion Systems
- Pipe Installation & Repair Tooling
- Underground Marking & Locating Systems
- Field Installation, Start-up & Maintenance Services

Contact us today. Let us demonstrate how over 100 years of experience can help you meet your challenges head-on and reach your long-term goals: on time, on budget and ahead of the curve.

